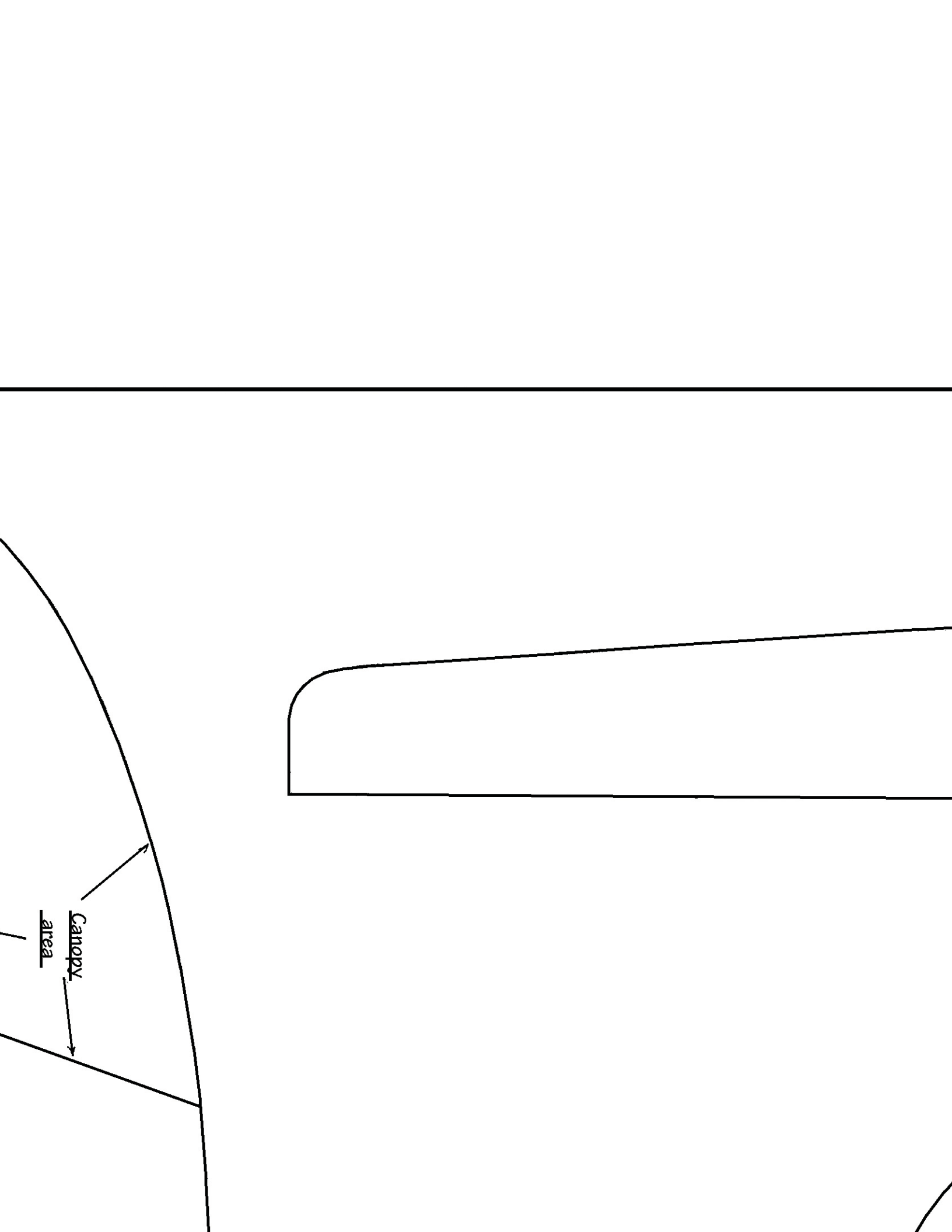
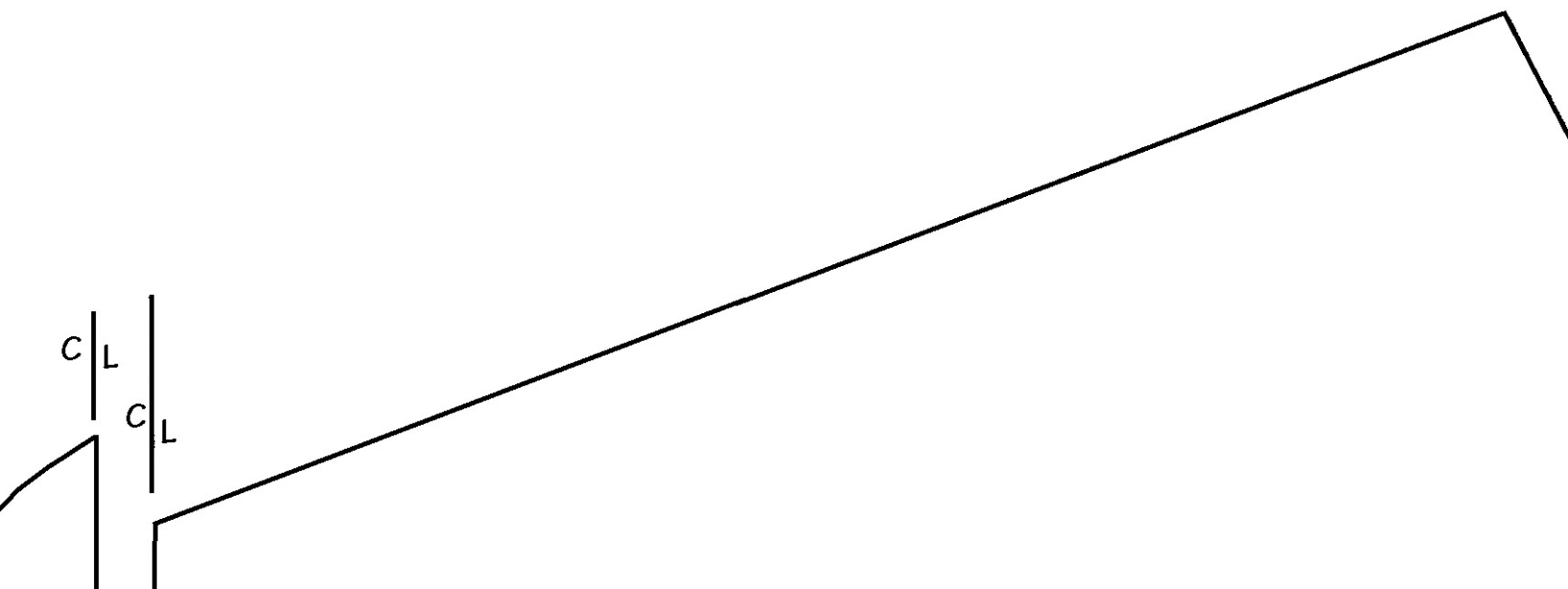
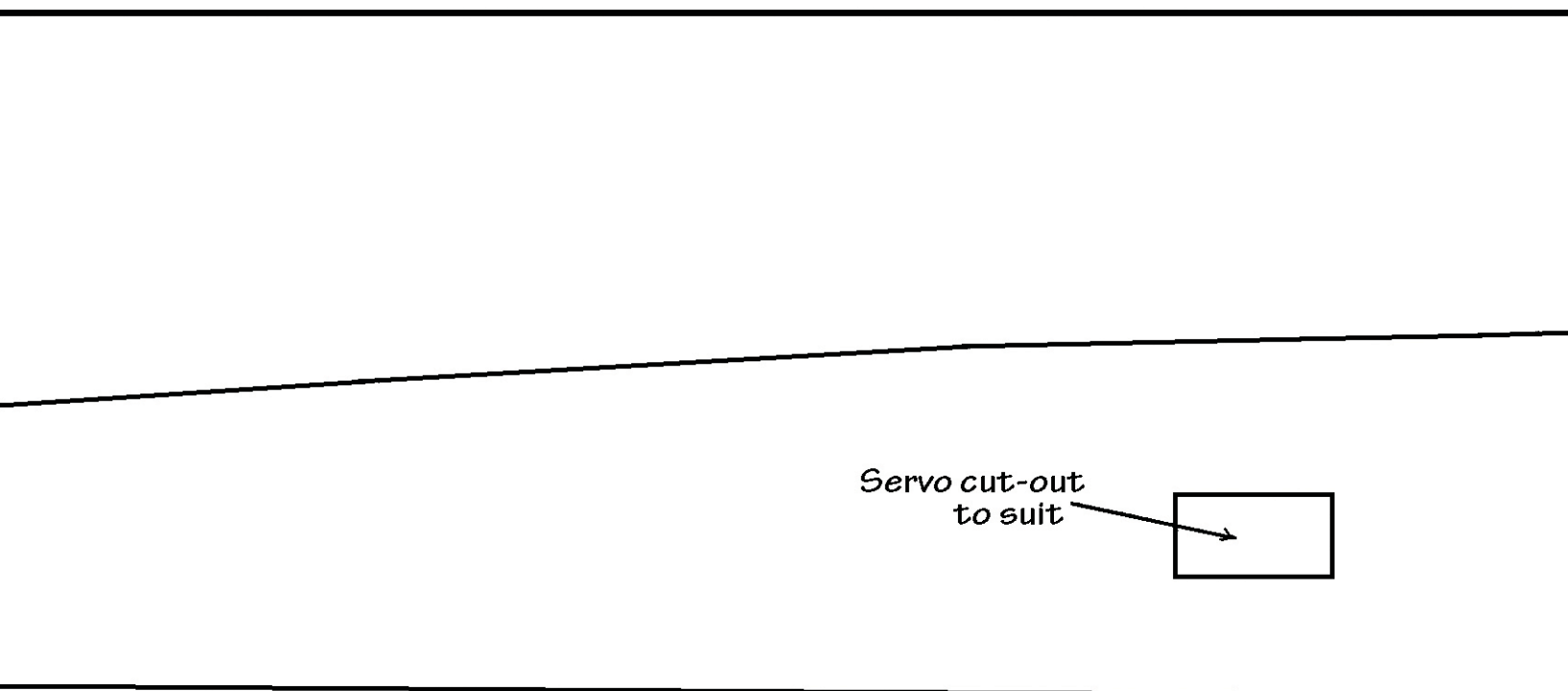
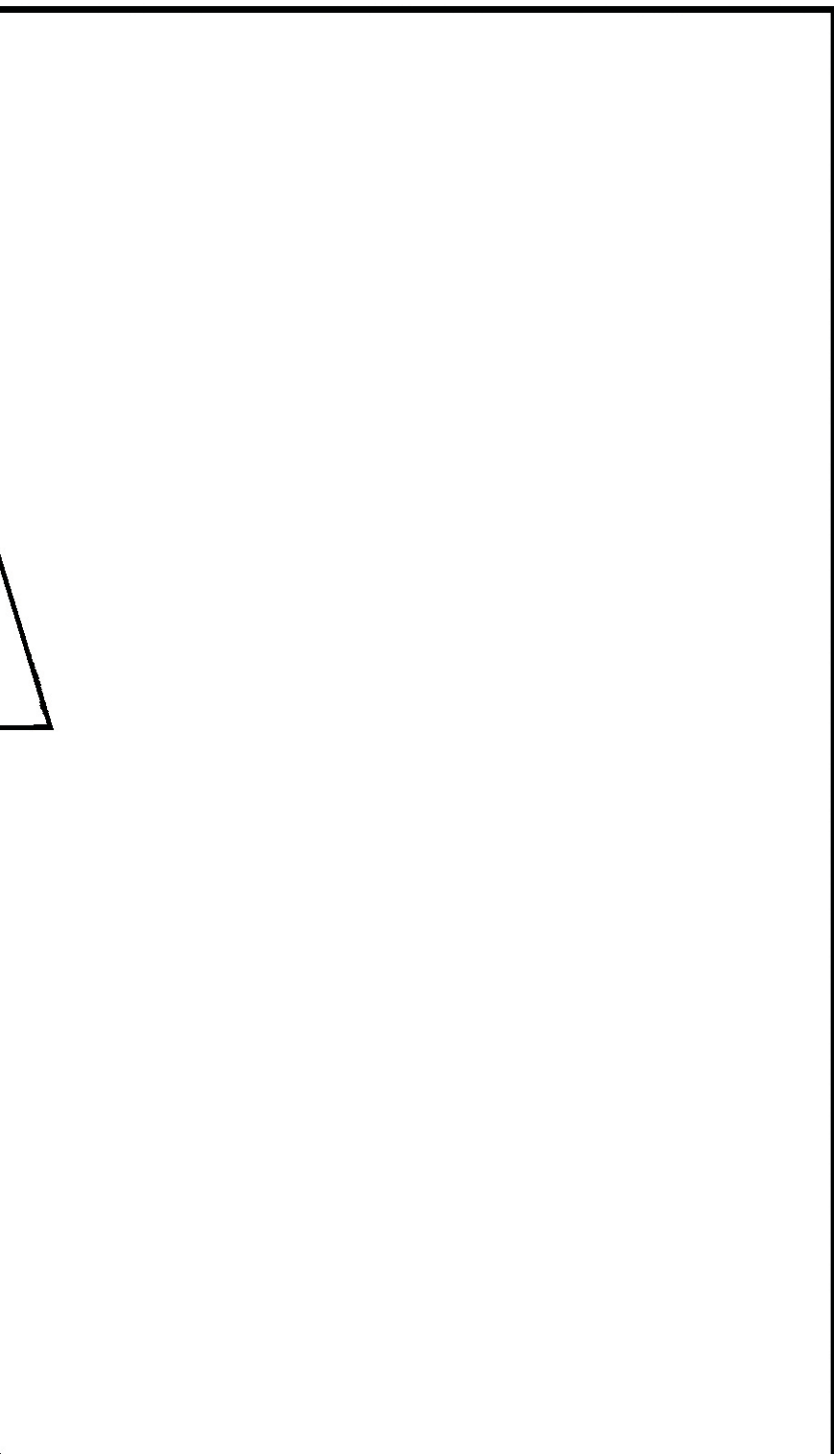


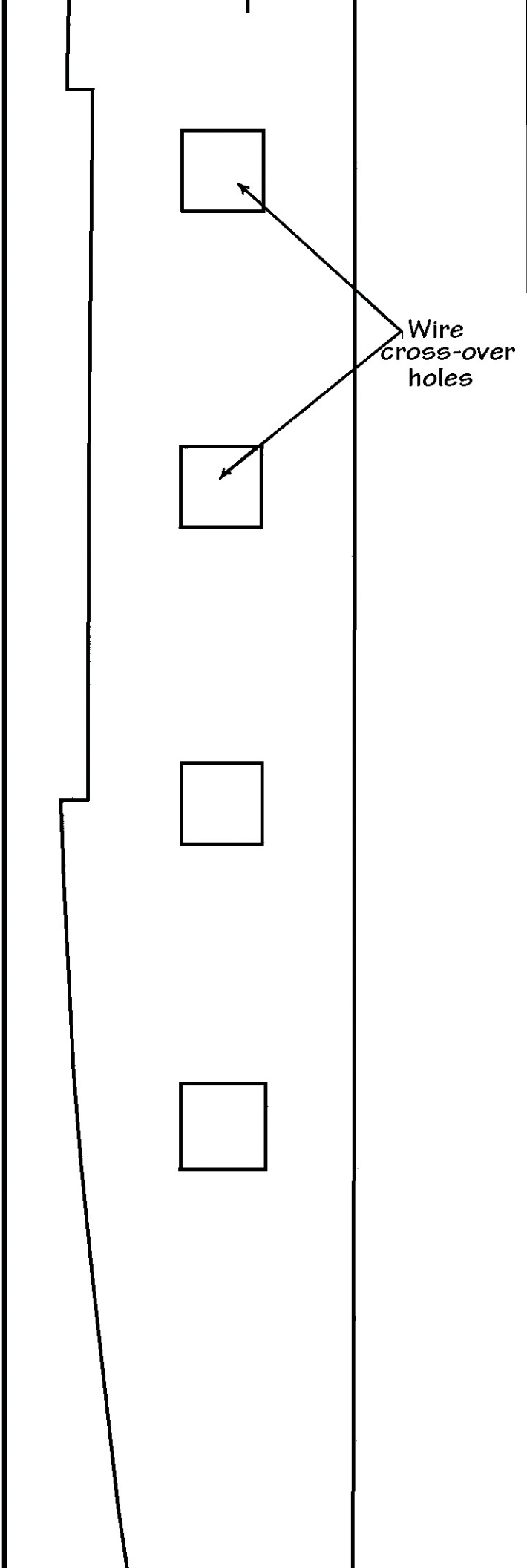
Fuselage Bottom
(Laminate two)





Fuselage Side Rail (2 required)

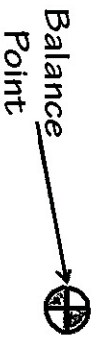




Wire
cross-over
holes

Fuselage Top (1 required)

Front Wing Template





Main Wing Template

Motor and Propeller

Cut-Out

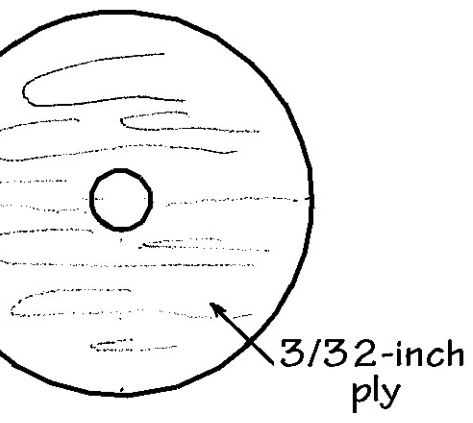
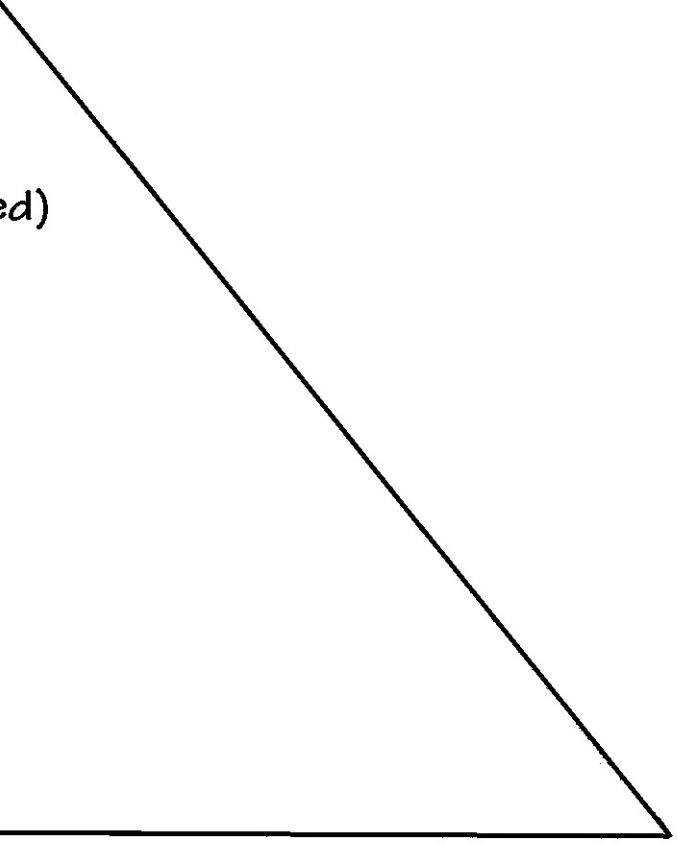
(Note: Only half of
templates are shown
the foam board and
Flip the template
center line and then
trace the second

Rudder Template (2 required)

of the main and front wing
own. Mark a center line on
nd trace one side of each.
es over, align with the
ne side already traced, and
l side.)

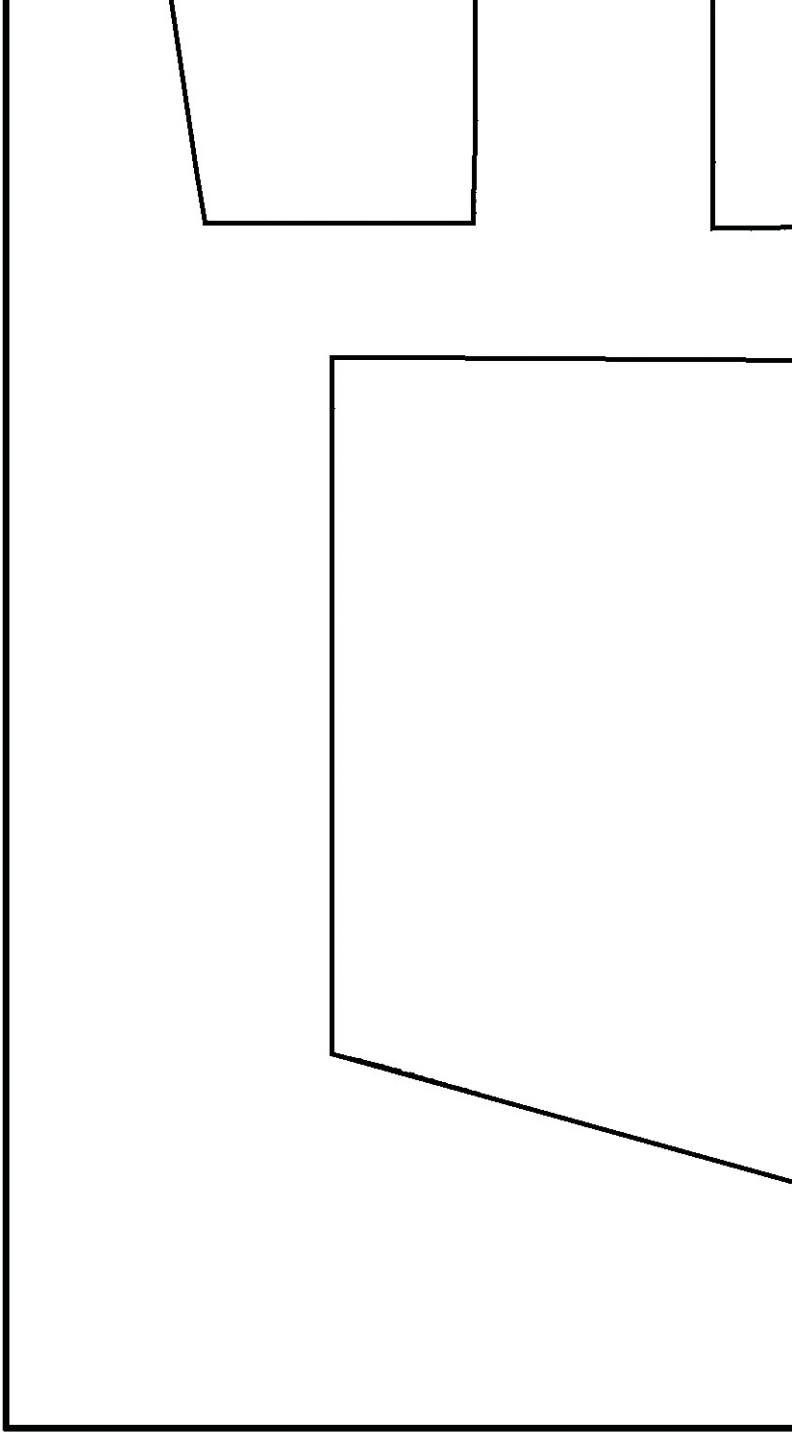
(Note:
unless

ed)



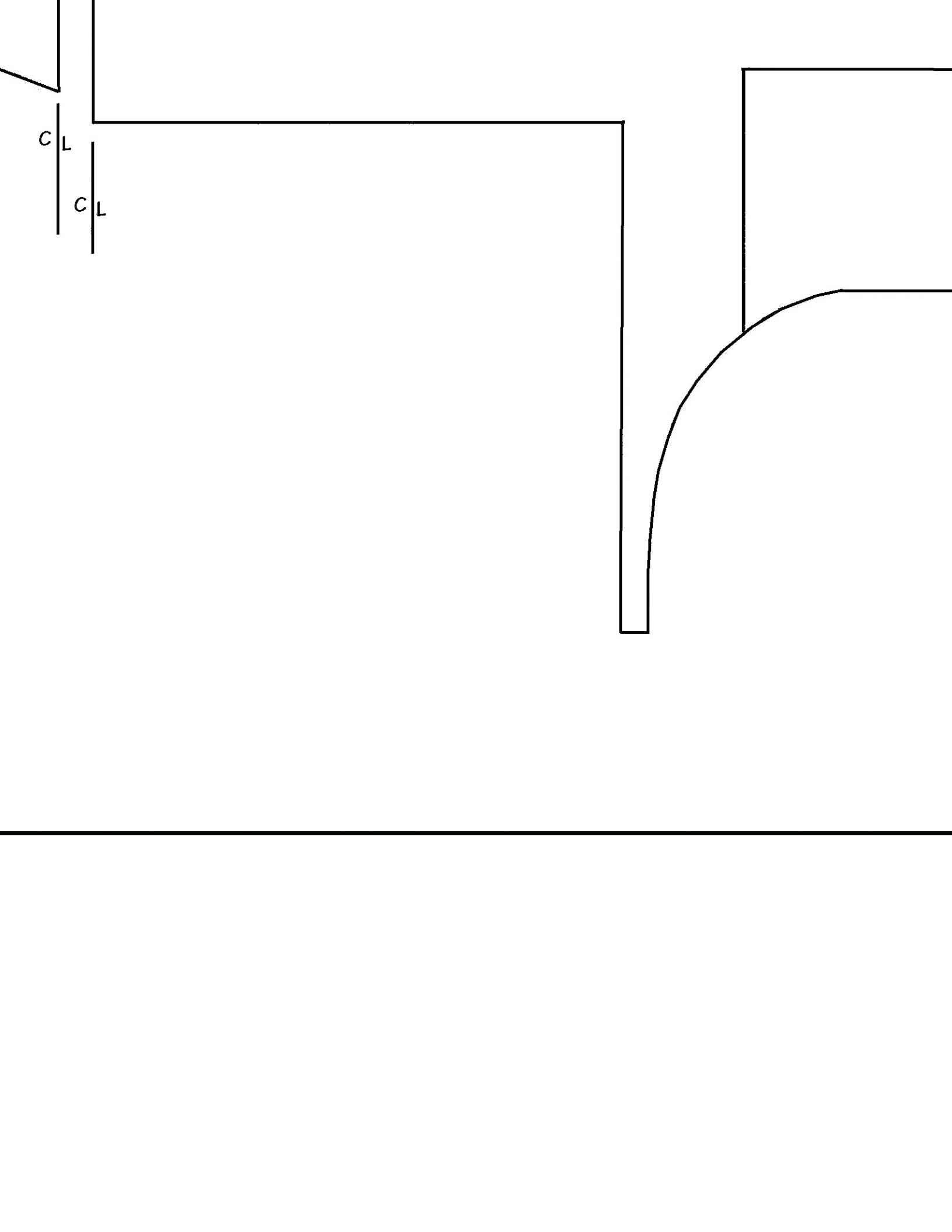
Motor Mount

All parts are 6mm foam board
otherwise specified.)



Leading
/ Edge

Bottom Plate Template



Elevon Template (2 required)

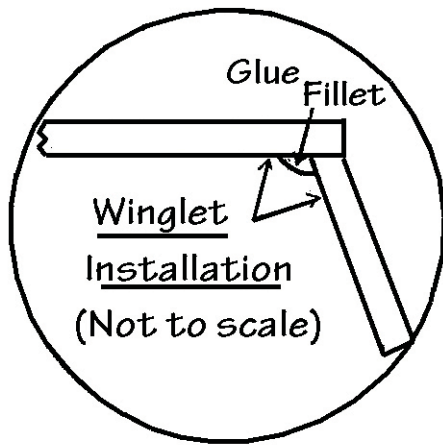
W
Te

“Lippisch P.13B”

30-inch span/30-inch le
2826/10 1400 Kv mot

Designed and drawn
Larry Kruse

Winglet
template



Winglet Detail

Flat-Foam Park Flyer

Length

Motor with 3S 1,000 mAh LiPo battery

by: