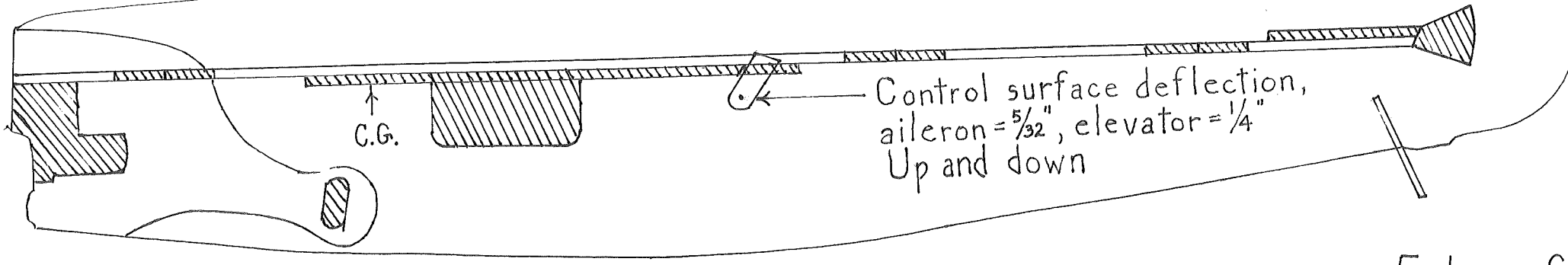
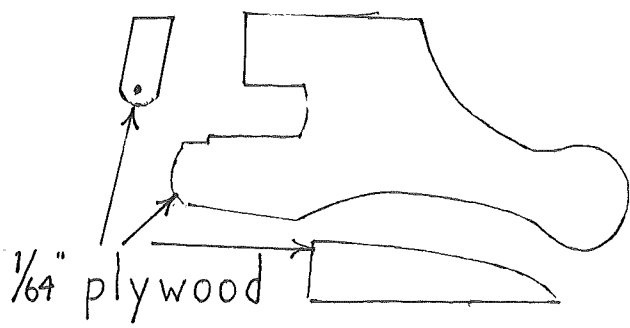
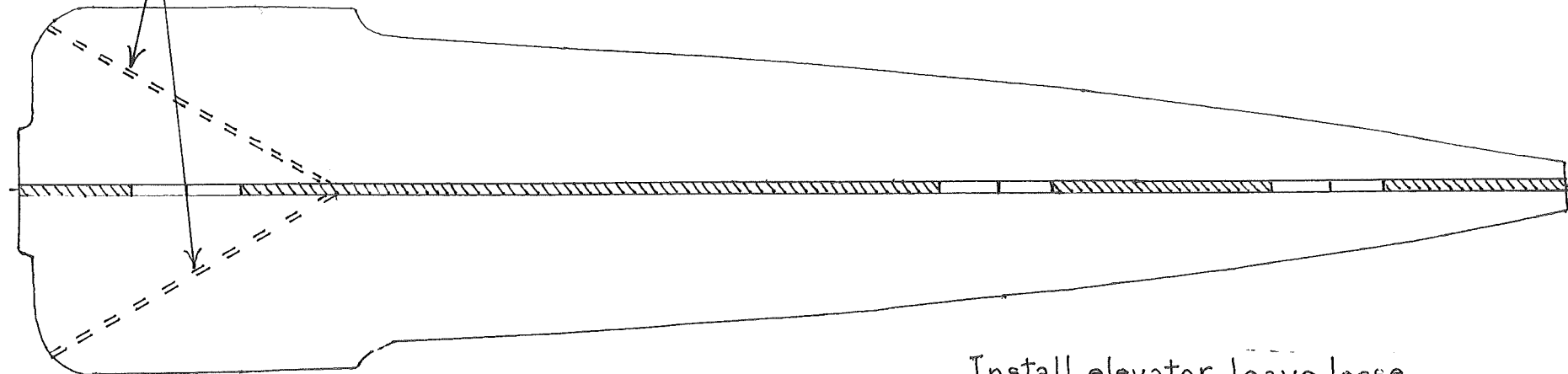
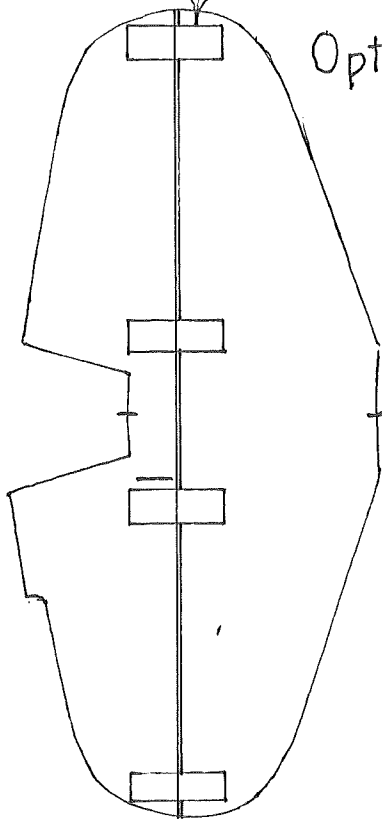


Hinge Detail



areas to remove

Design by Mike Abernathy

Motor Offset:
 2° right & 1° down

Falcon Special
 $\frac{1}{17}$ scale Goodyear
Indoor Pylon Racer