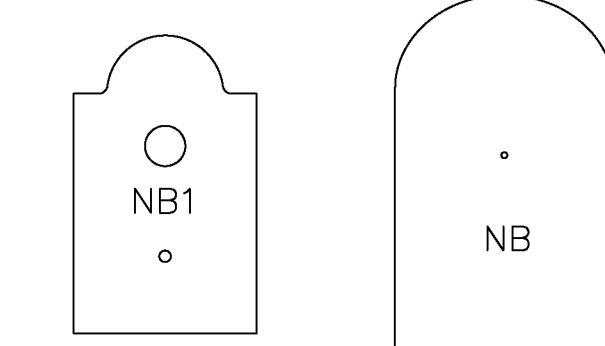
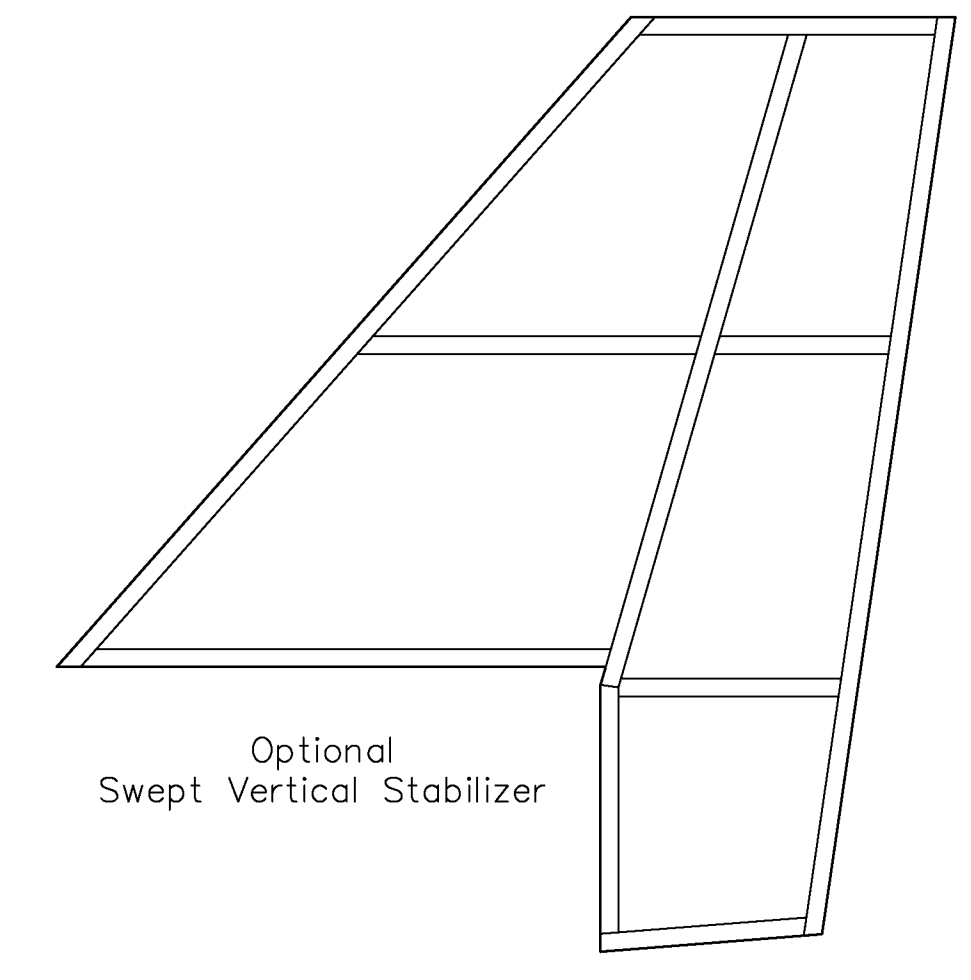
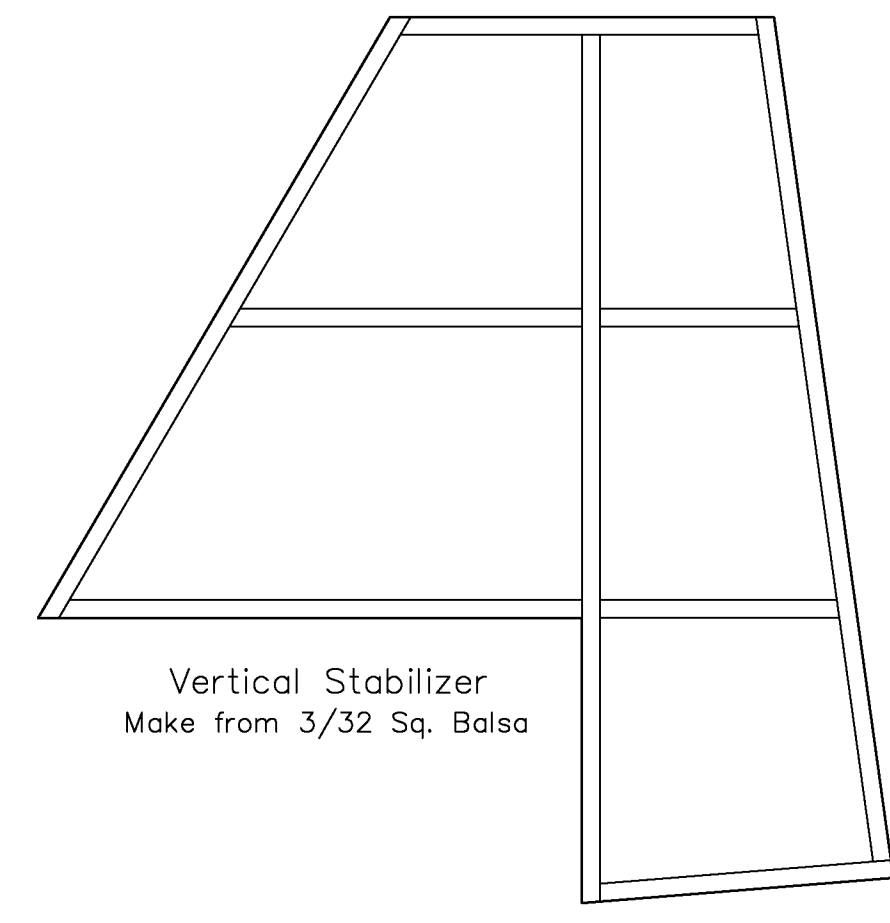
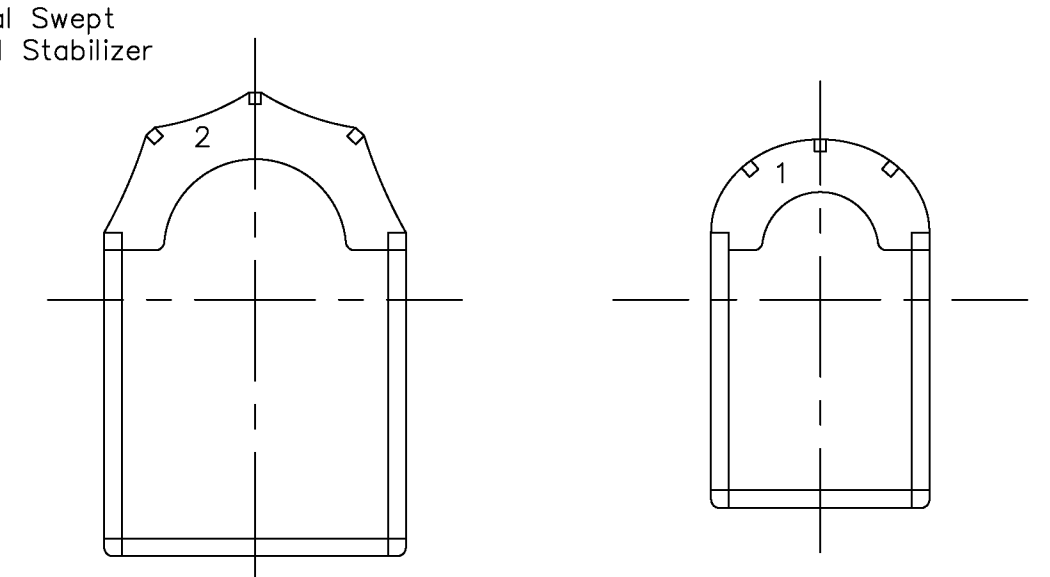
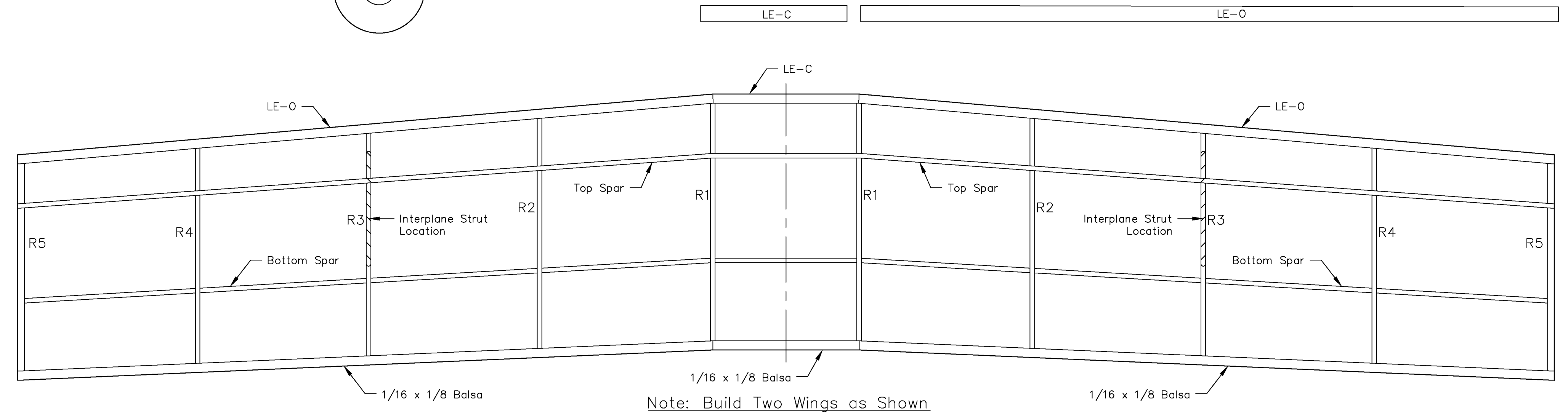
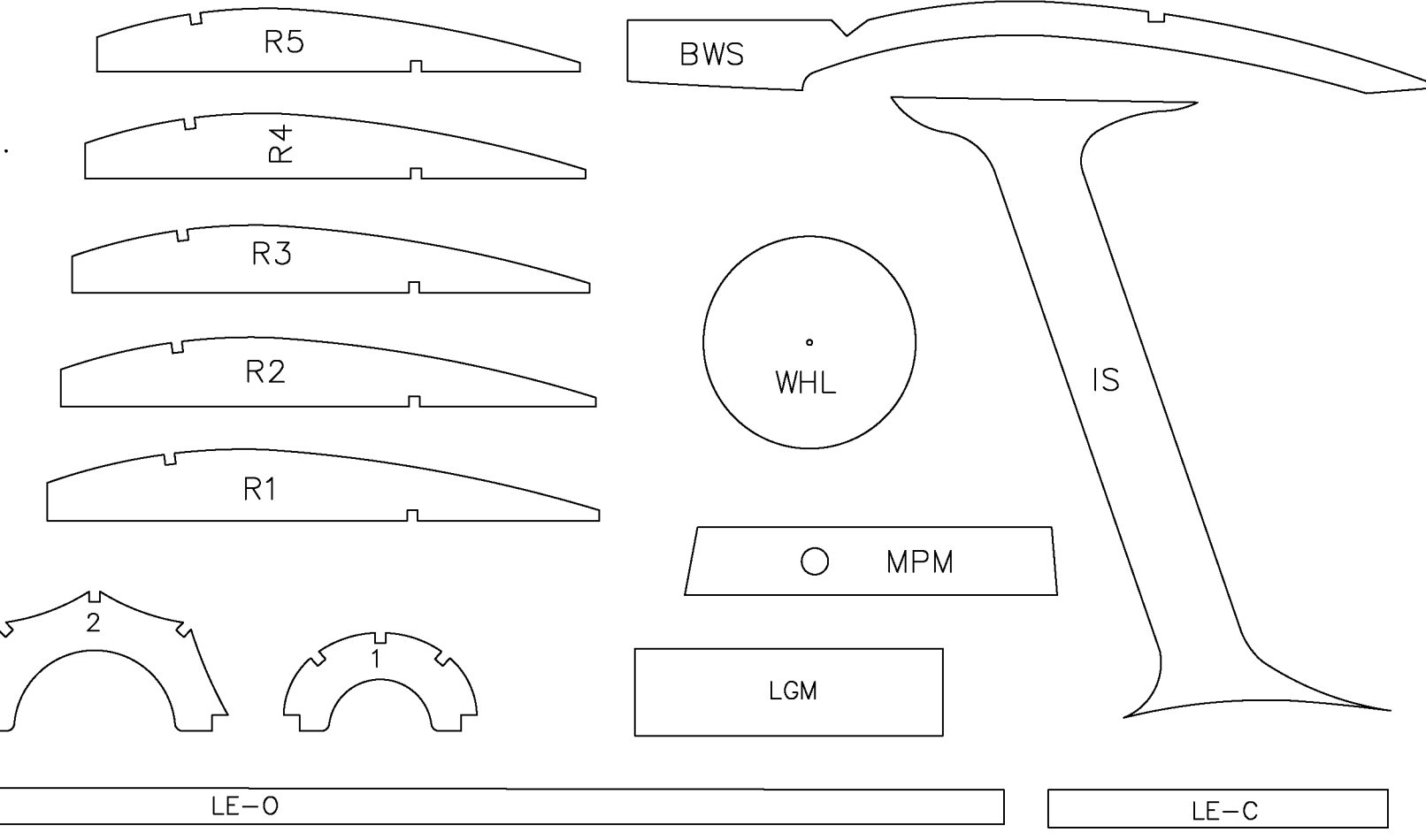


Note: The Fuselage Frame is Built from 3/32 Sq. Balsa Unless Otherwise Noted

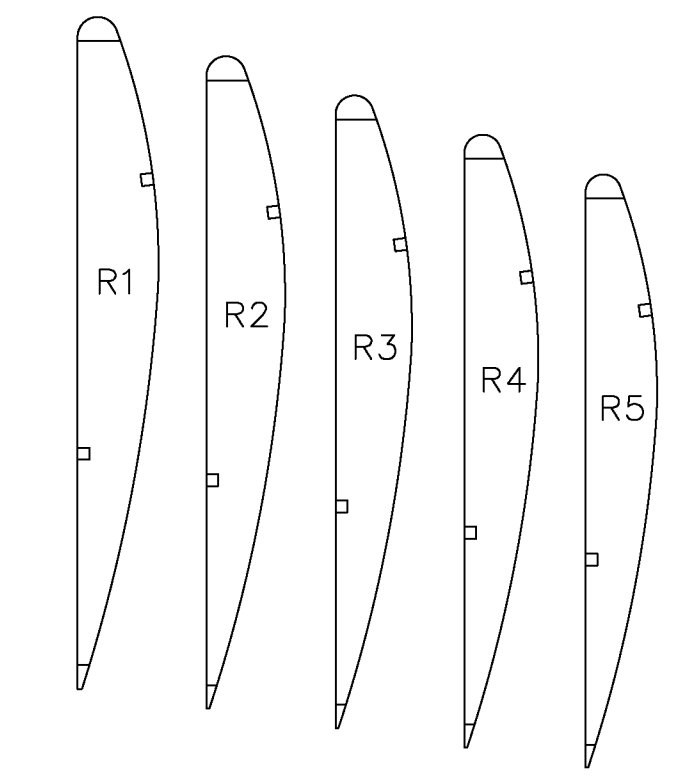
Note: The Best Set-Up is with the CG as Shown Using a 19" Double Loop of 1/8" Tan Rubber with 8 Degrees Down Thrust and 1.5 Degrees Right Thrust



- R1 - R4: 1/16 Balsa 4 ea. Req.
- R5: 3/32 Balsa 4 Req.
- Formers 1 - 3: 1/16 Balsa 1 ea. Req.
- IS: 1/16 Balsa 2 Req.
- MPM: 3/32 Balsa 2 Req.
- BWS: 3/32 Balsa 2 Req.
- LE-C: 1/8 Balsa 4 Req.
- LE-O: 1/8 Balsa 2 Req.
- WHL: 1/8 Balsa 2 Req.
- LGM: 1/16 Balsa 2 Req.
- NB1: 1/8 Balsa 1 Req.
- NB2: 1/16 Ply 1 Req.

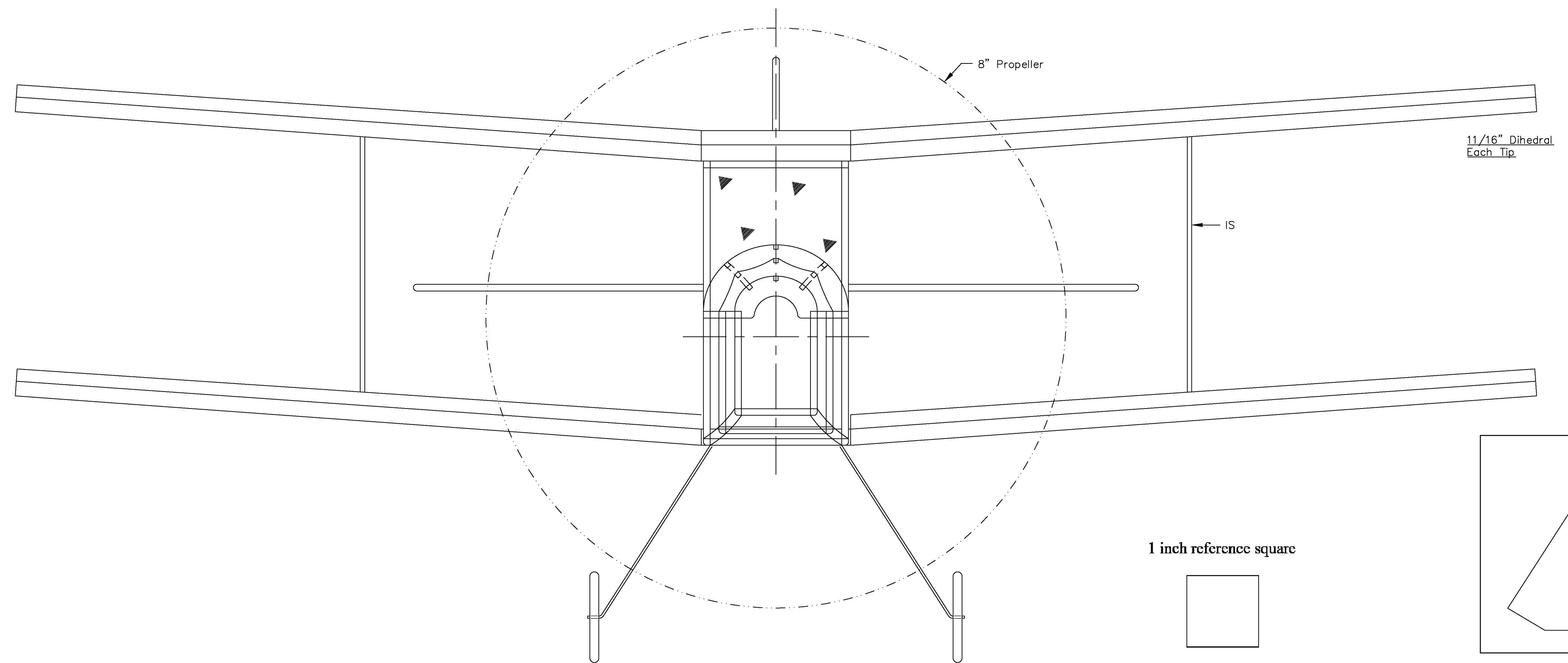
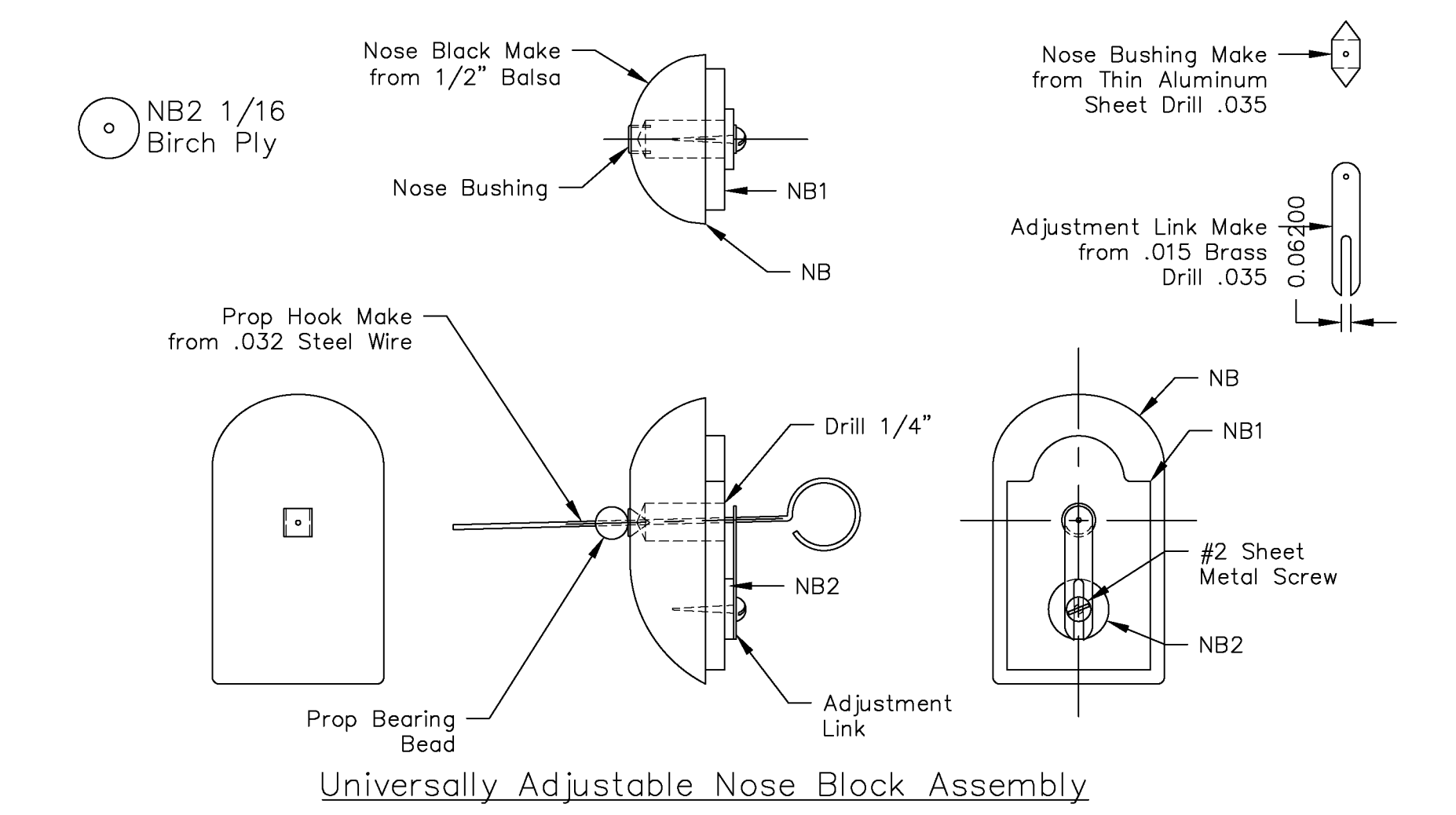


Note: Build Two Wings as Shown

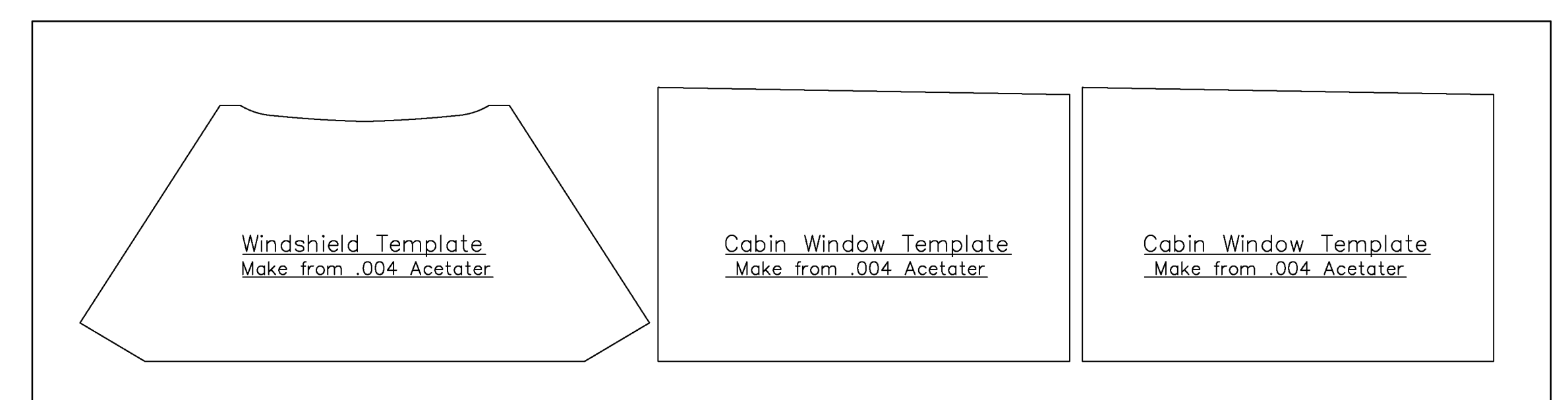


Materials List

- Wood:
- 1/16 Sheet Balsa
 - 3/32 Sheet Balsa
 - 1/8 Sheet Balsa
 - 1/16 Birch Ply
 - 4- 1/16 Sq. Balsa
 - 2- 1/16 x 1/8 Balsa
 - 7- 3/32 Sq. Balsa
 - 1- 3/32 x 1/8 Balsa
 - 1/2 x 1 1/2 x 2 Balsa Block
- Metal:
- .020 Steel Wire
 - .032 Steel Wire
 - .015 Brass
 - 5/32 O. D. Aluminum Tube
 - 1/2" Sq. Aluminum (From a Beverage Can)
- Miscellaneous:
- .004" Acetate
 - 1- 7" Peck Polymers Propeller
 - 1- 19" Double Loop 1/8 Tan Rubber



1 inch reference square



Copyright 2020 PARKPILOT
Copying for resale of this drawing without the written approval or consent of AMA is expressly prohibited.

Dosalas

Wing Span: 21"	Length: 20"
Area: 139 Sq. In.	Wt.: 59.6 Gr. (w/ Motor)
Designed By P. Tritle © 6/16/2020	