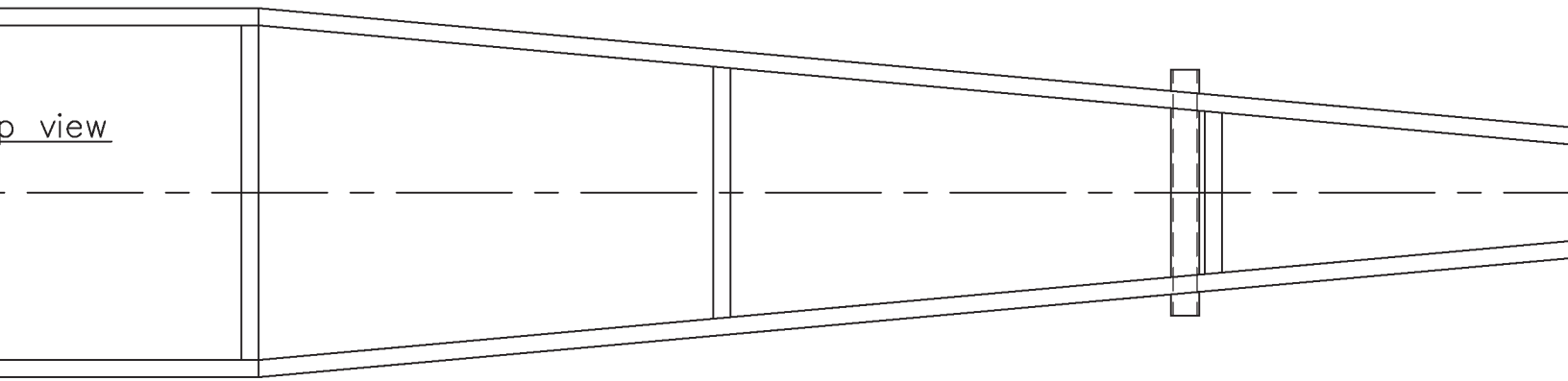
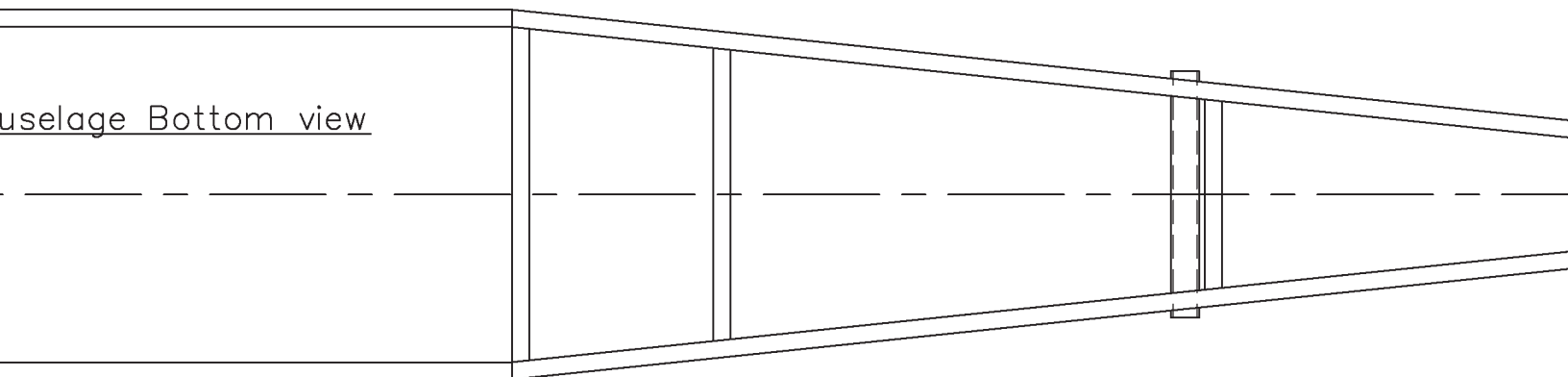


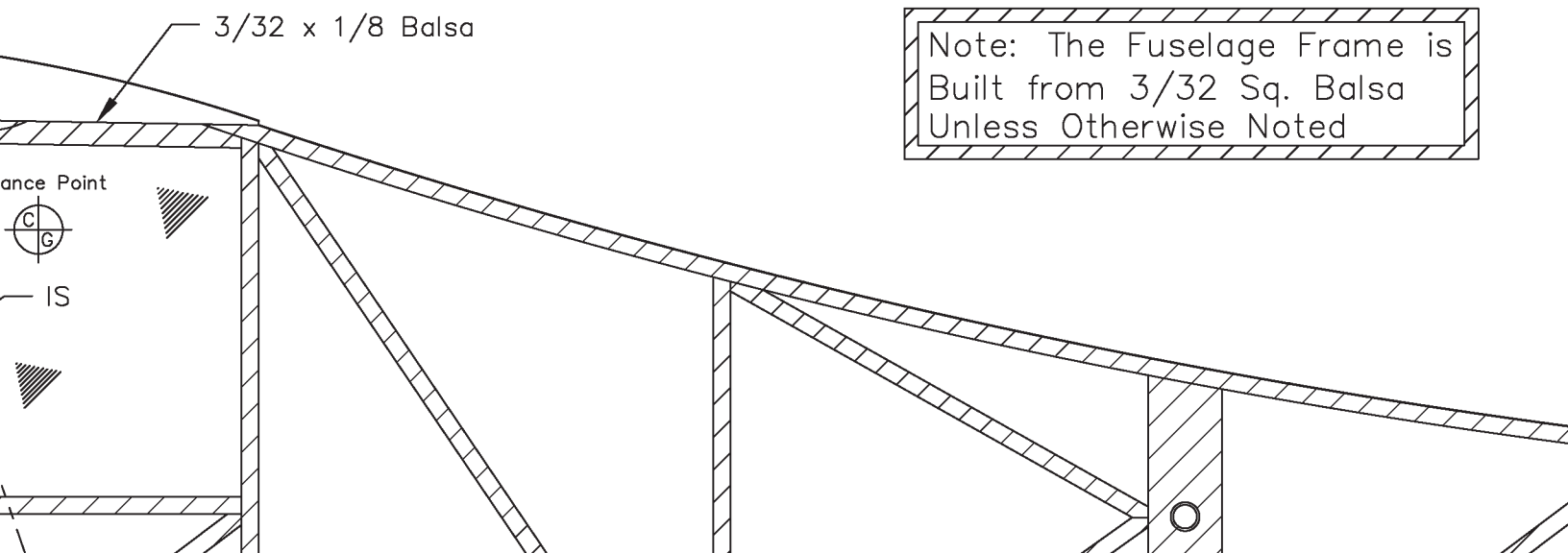
Top view



Fuselage Bottom view



3/32 x 1/8 Balsa

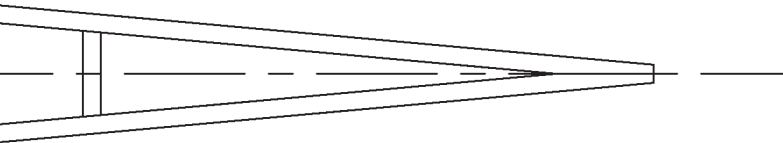



Balance Point

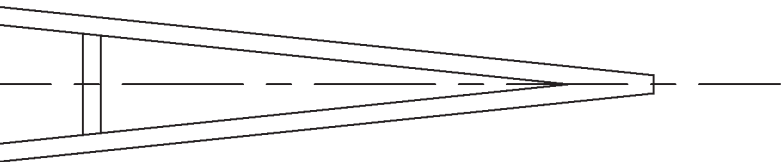


IS

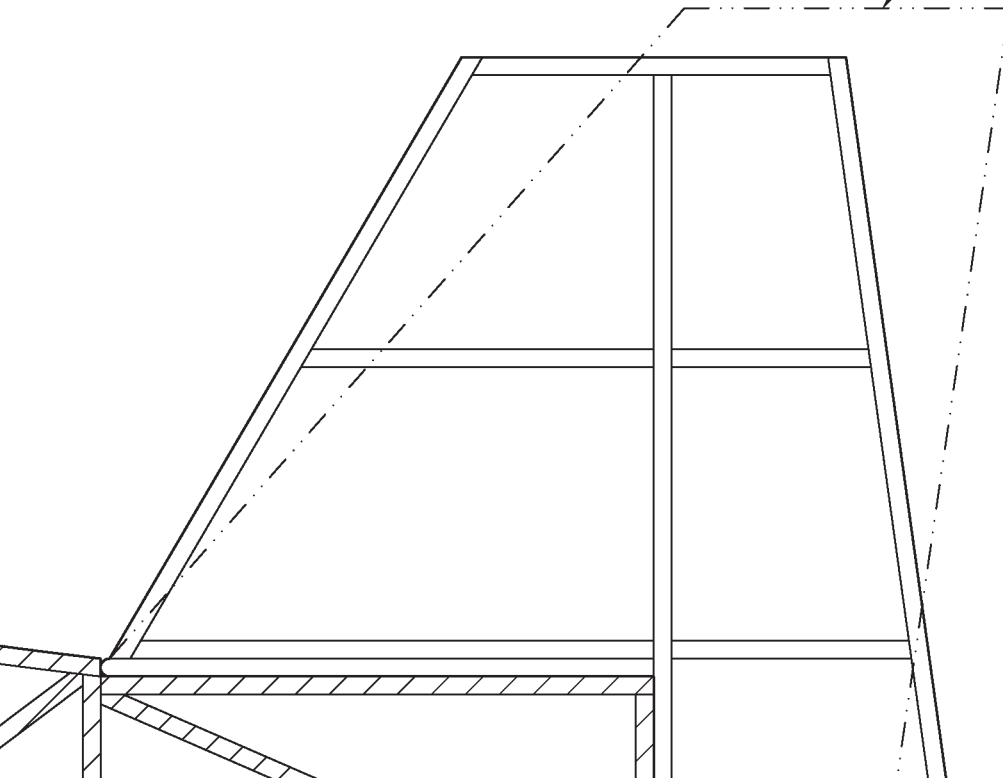
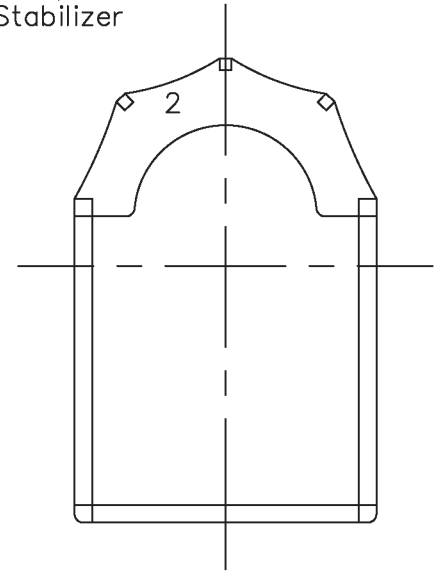
Note: The Fuselage Frame is Built from 3/32 Sq. Balsa Unless Otherwise Noted

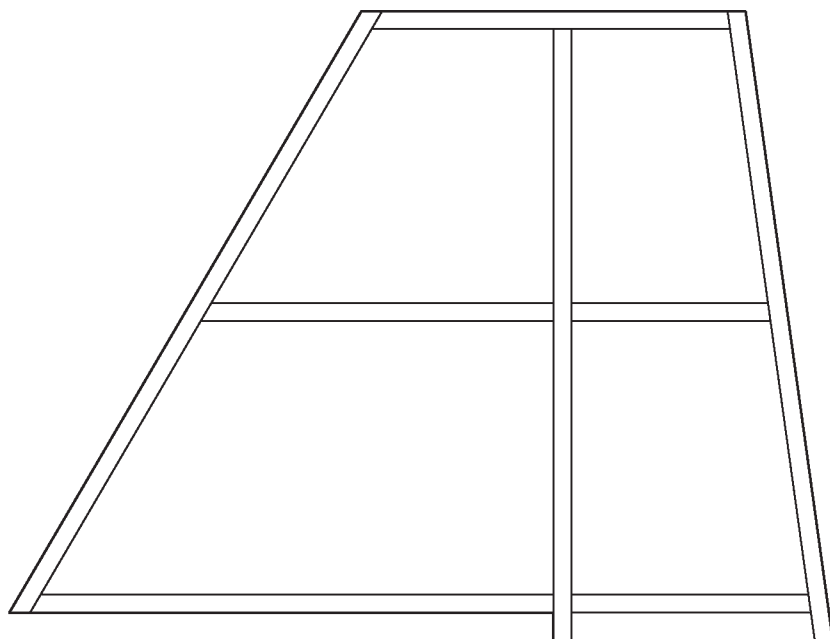
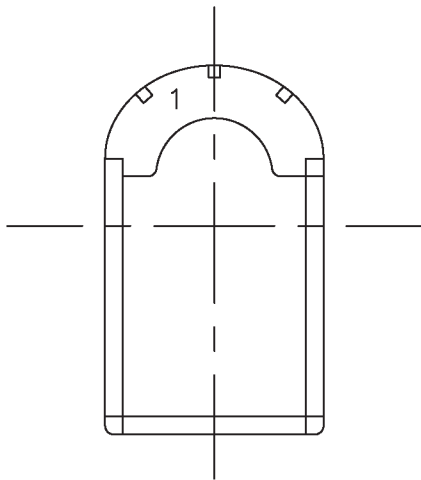
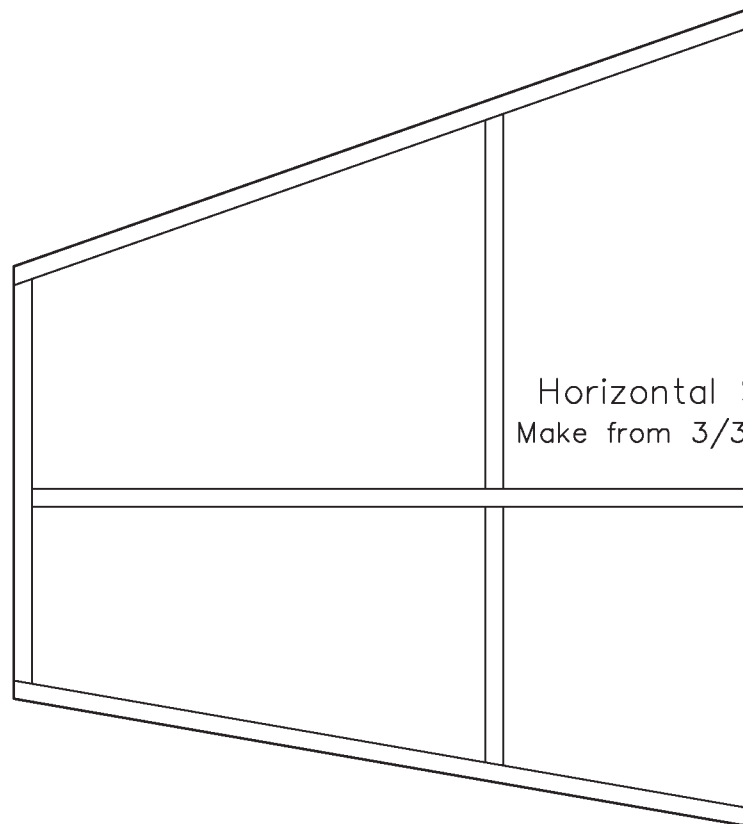
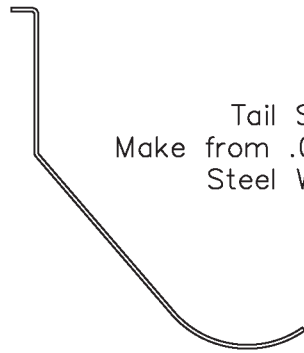
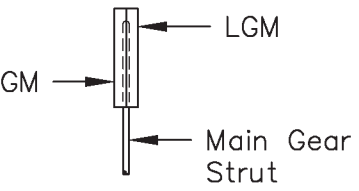


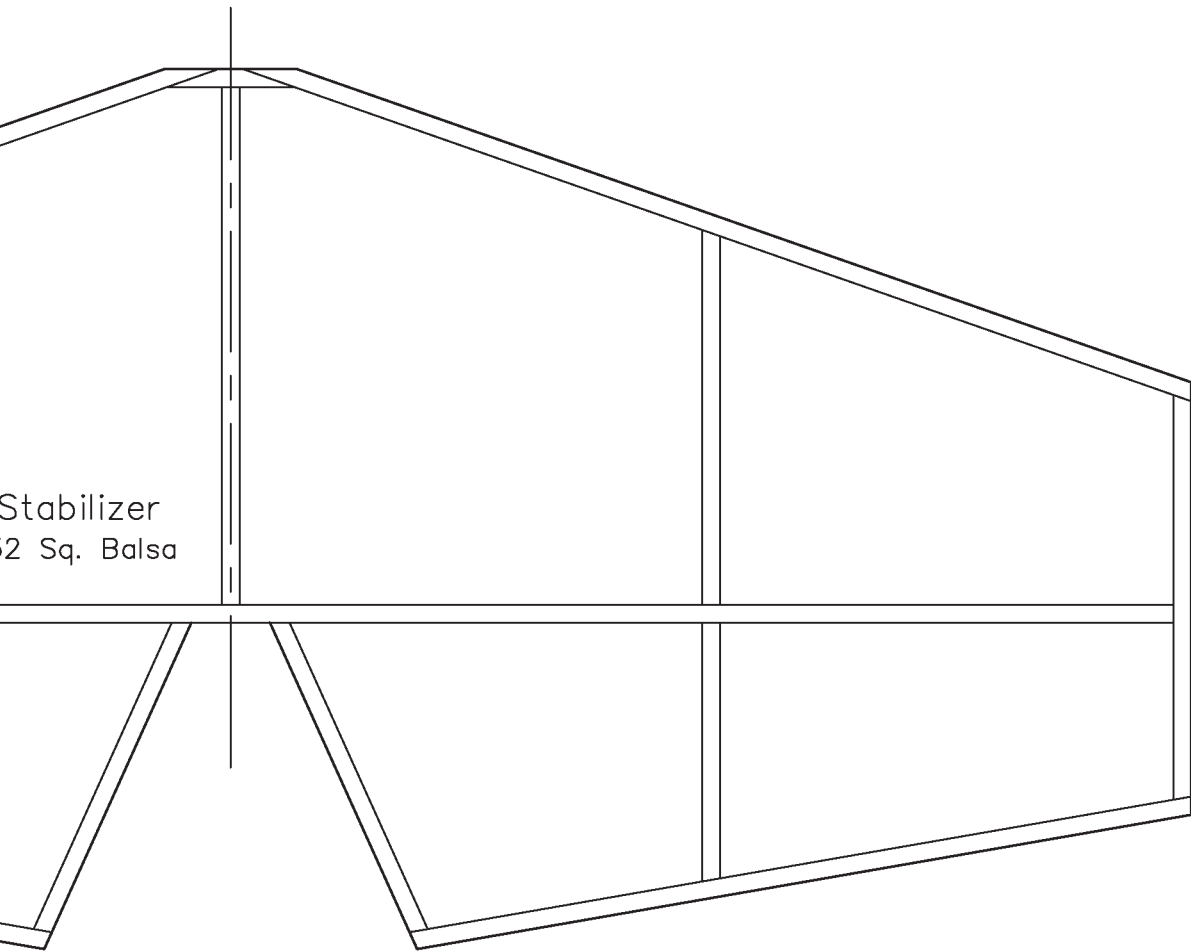

Motor Peg
5/32 O. D. Aluminum Tube



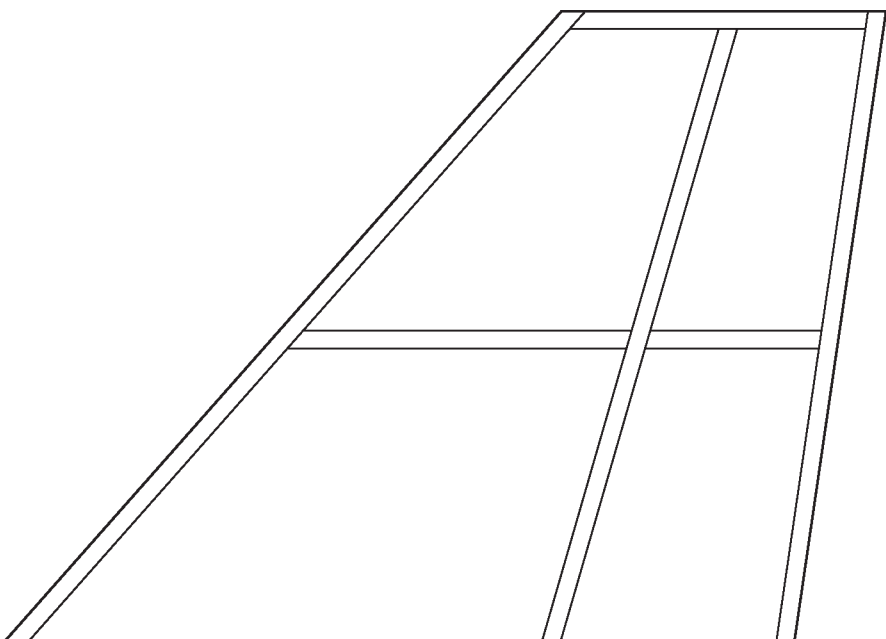
Optional Swept
Vertical Stabilizer

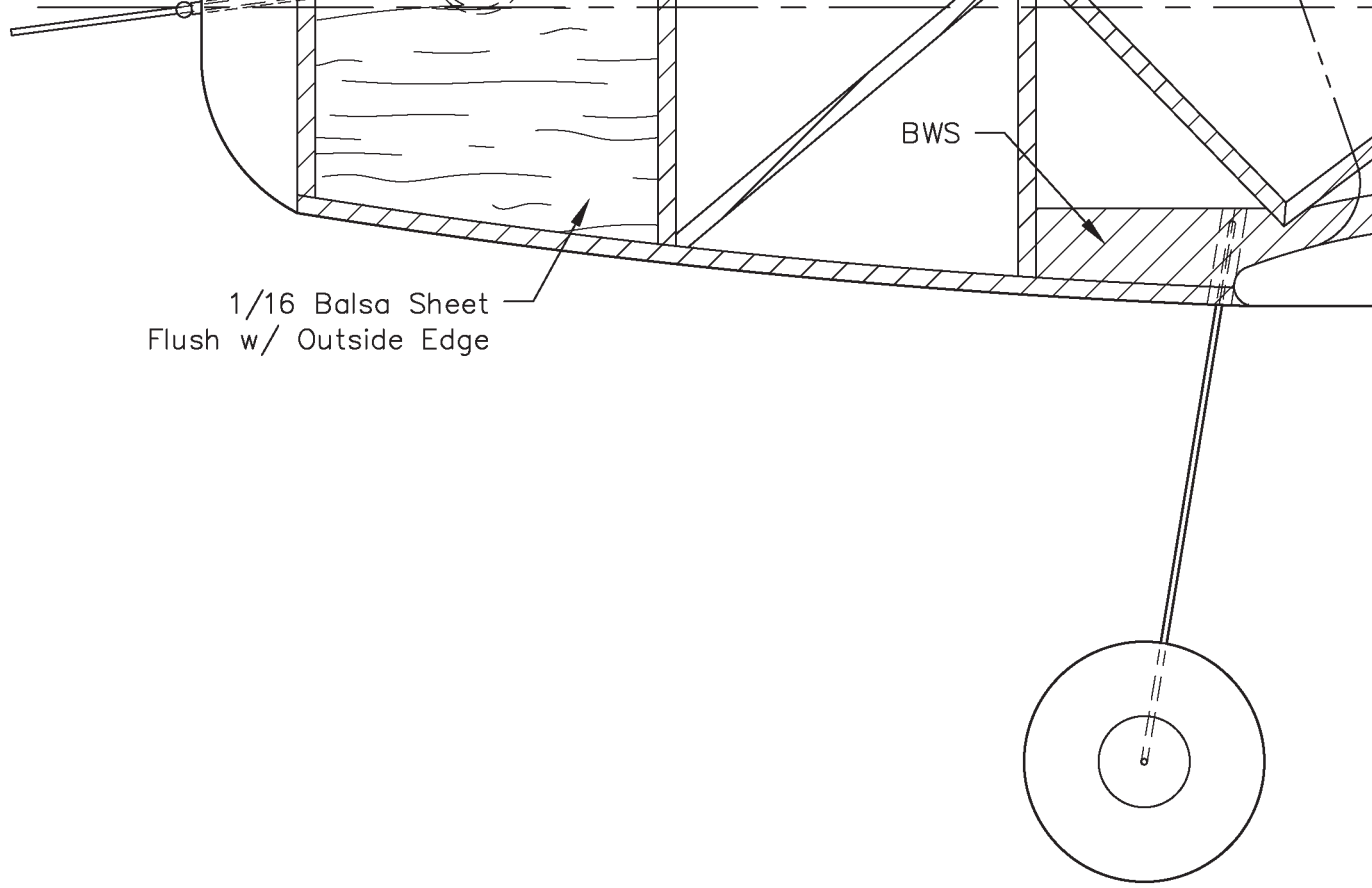






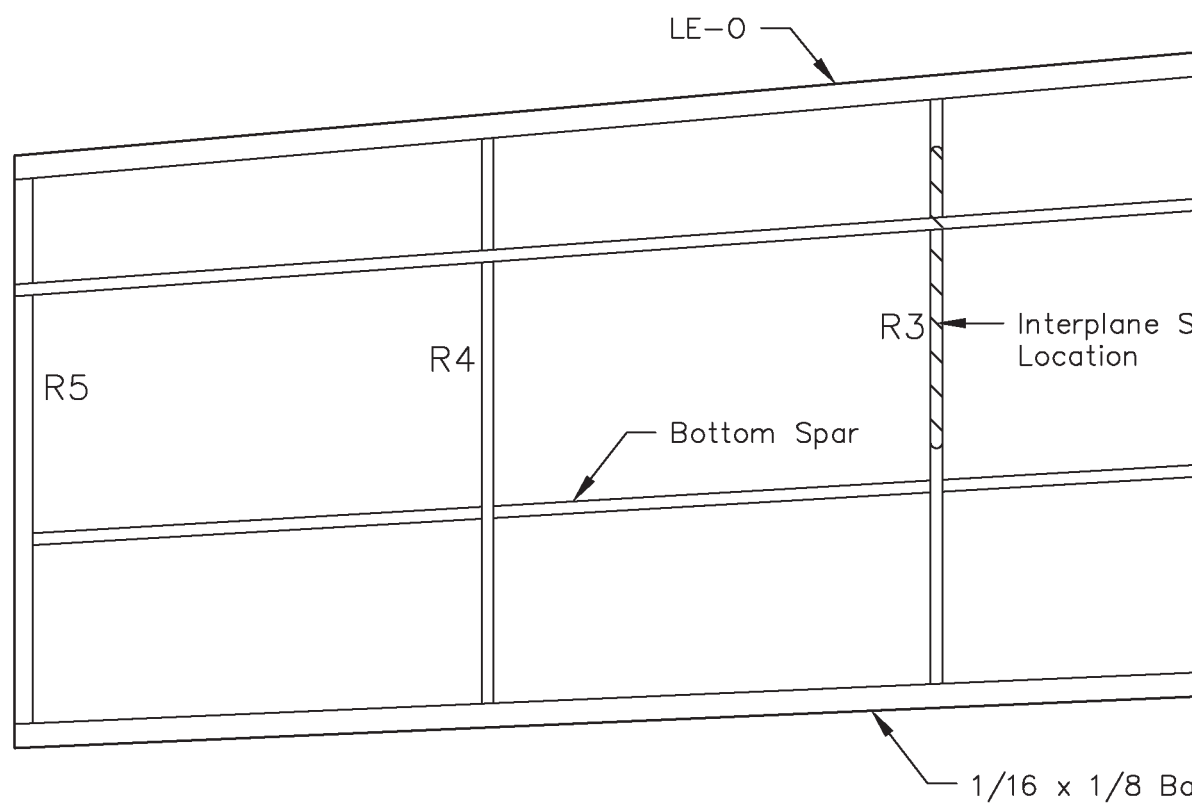
Stabilizer
2 Sq. Balsa





1/16 Balsa Sheet
Flush w/ Outside Edge

BWS



LE-0

R5

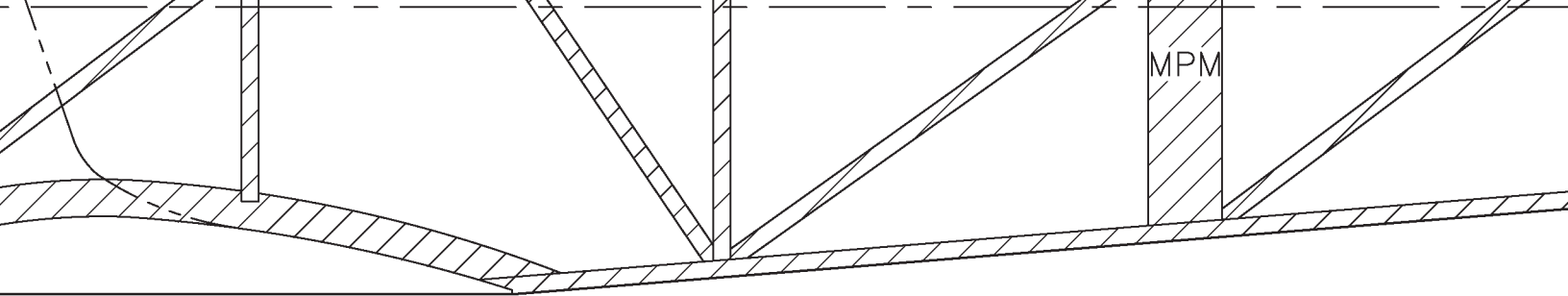
R4

R3

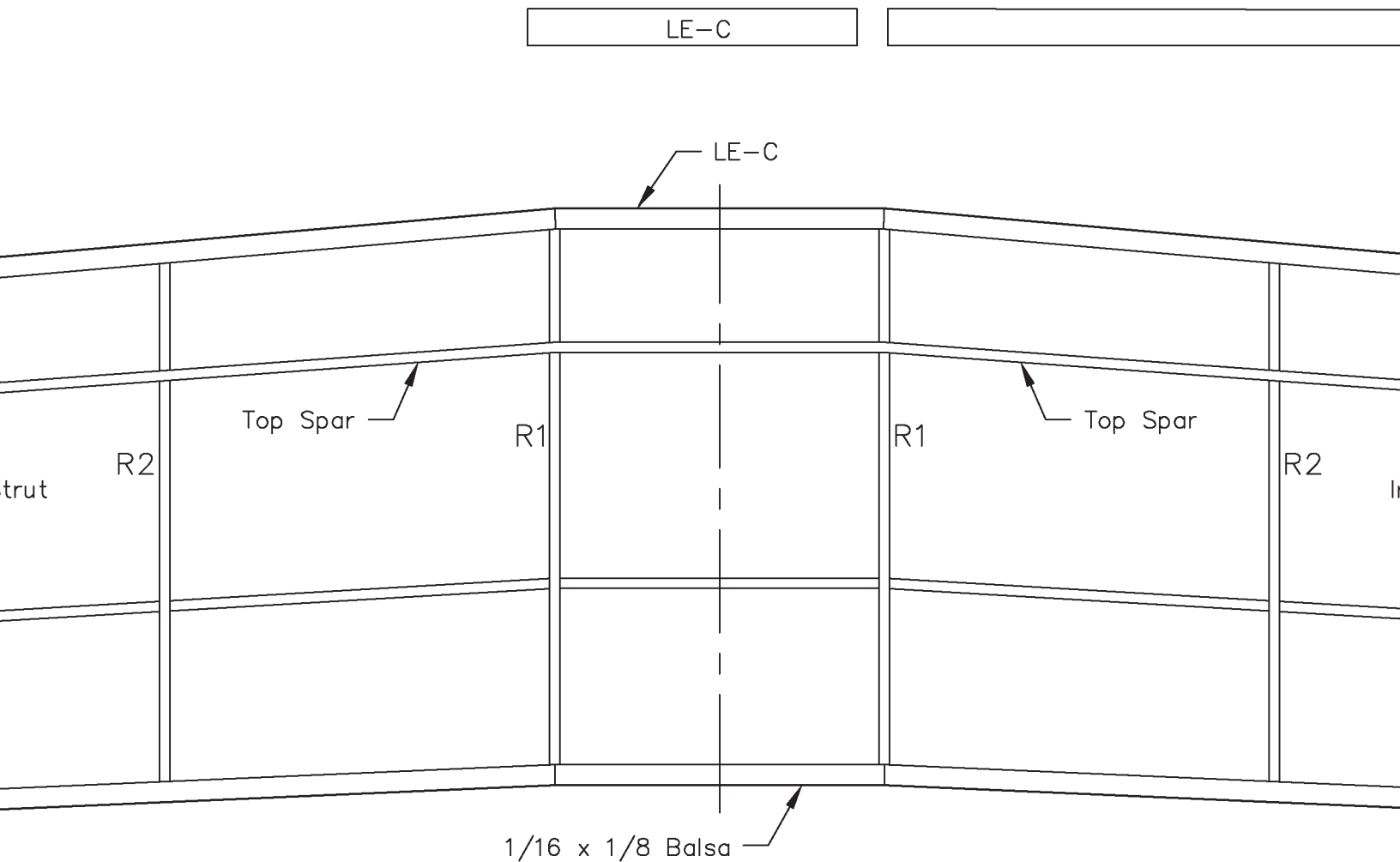
Interplane S
Location

Bottom Spar

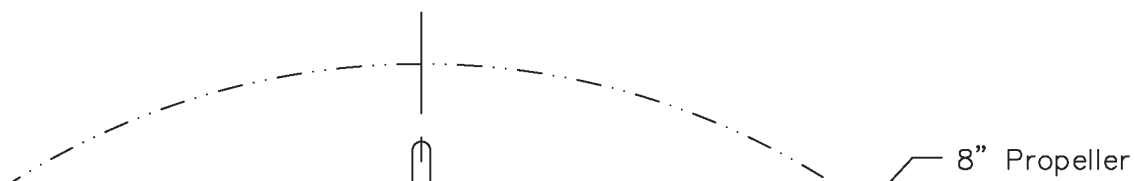
1/16 x 1/8 Bo

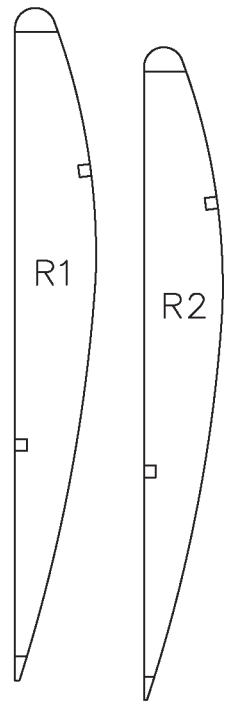
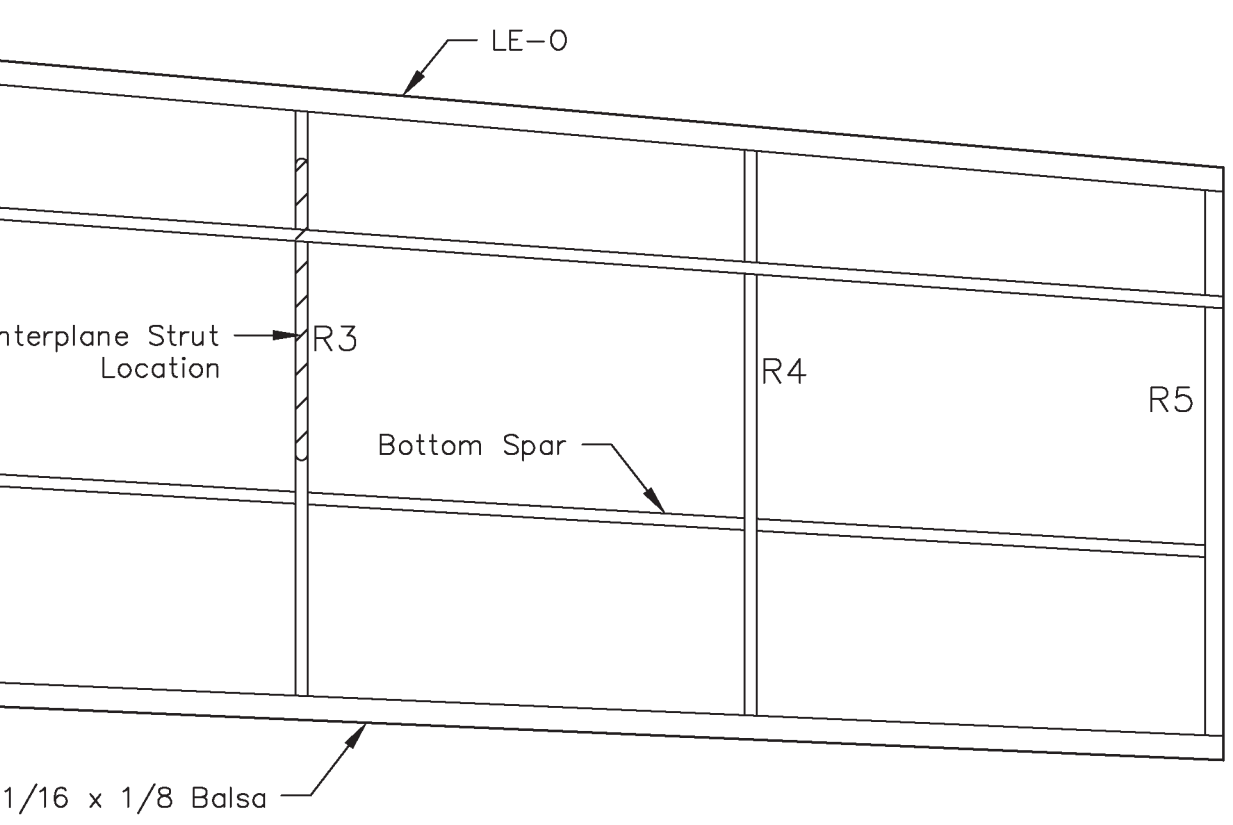
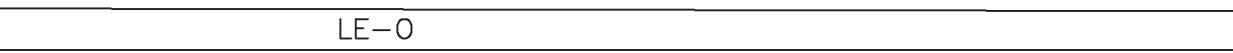
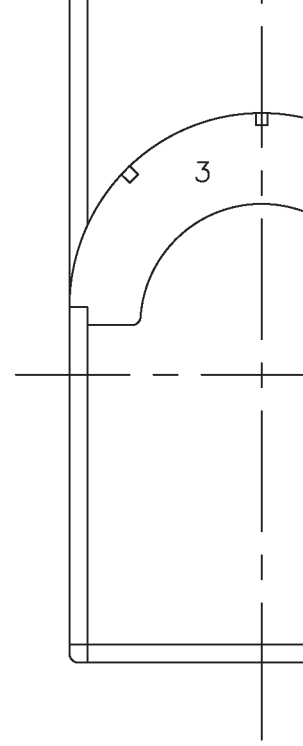
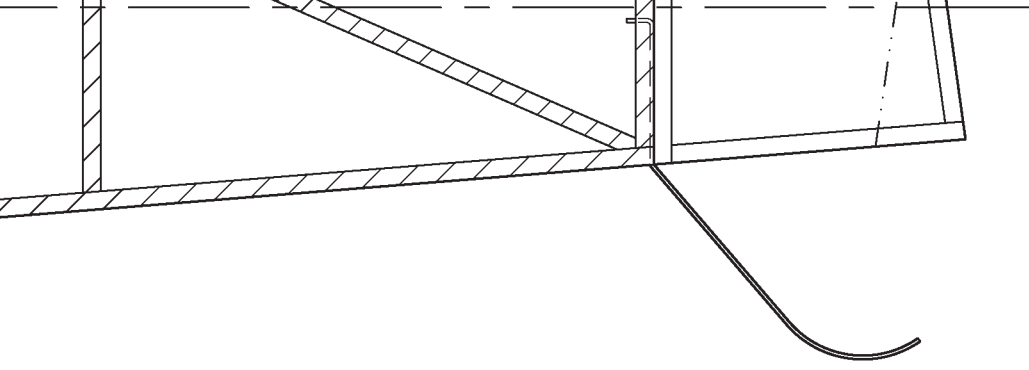


Note: The Best Set-Up is with the CG as Shown Using a 19" Double Loop of 1/8" Tan Rubber with 8 Degrees Down Thrust and 1.5 Degrees Right Thrust

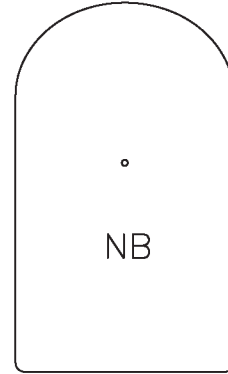
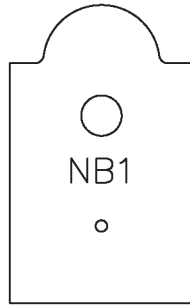
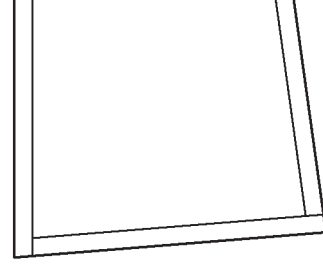
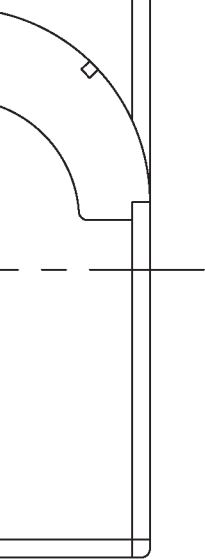


Note: Build Two Wings as Shown

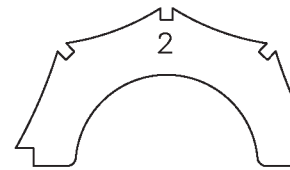
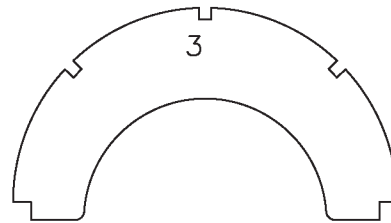
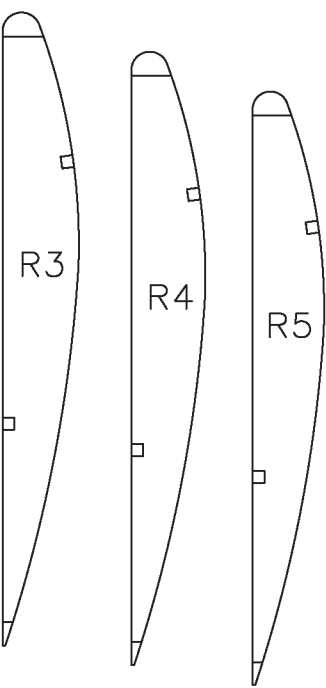
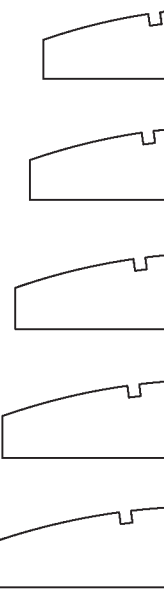




Vertical Stabilizer
 Make from 3/32 Sq. Balsa



- R1 – R4: 1/16 Balsa 4 ea. Req.
- R5: 3/32 Balsa 4 Req.
- Formers 1 – 3: 1/16 Balsa 1 ea. Req.
- IS: 1/16 Balsa 2 Req.
- MPM: 3/32 Balsa 2 Req.
- BWS: 3/32 Balsa 2 Req.
- LE-C: 1/8 Balsa 2 Req.
- LE-O: 1/8 Balsa 4 Req.
- WHL: 1/8 Balsa 2 Req.
- LGM: 1/16 Balsa 2 Req.
- NB1: 1/8 Balsa 1 Req.
- MB2: 1/16 Ply 1 Req.



Materials List

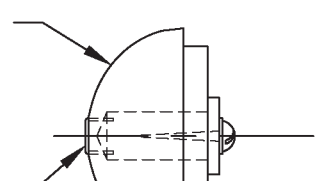
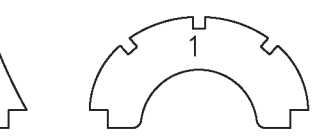
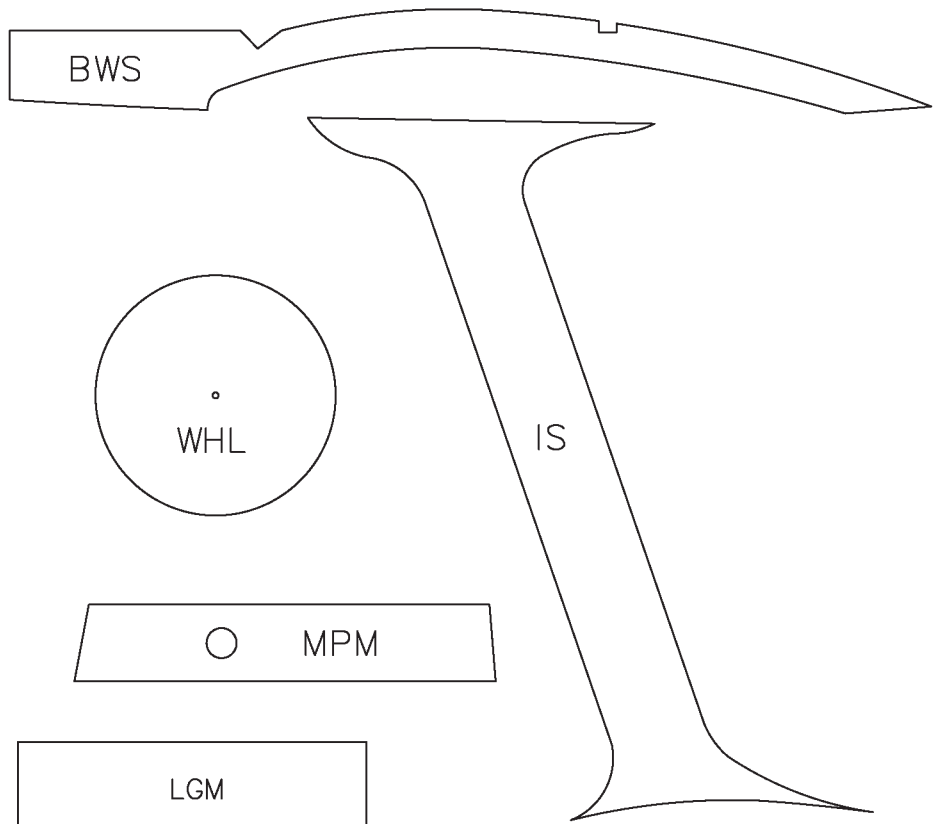
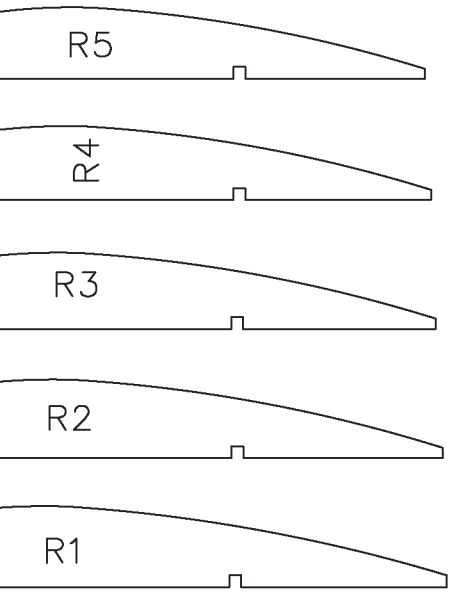
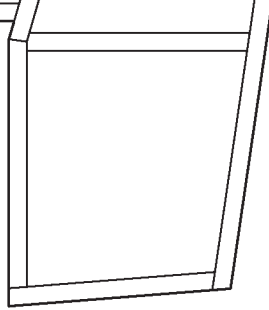
Wood:

1/16 Sheet Balsa

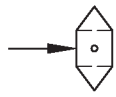
 NB2 1/16
 Birch Ply

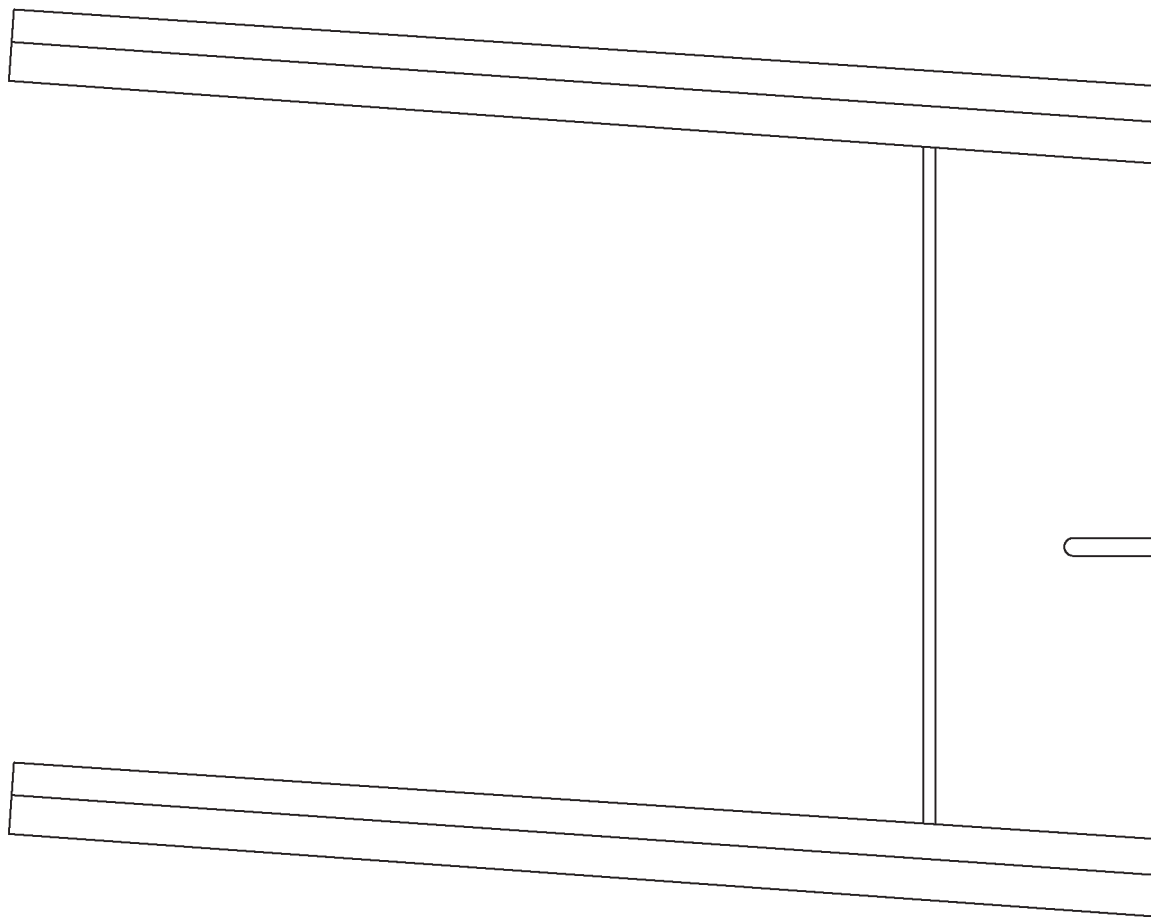
Nose Black Make
 from 1/2" Balsa

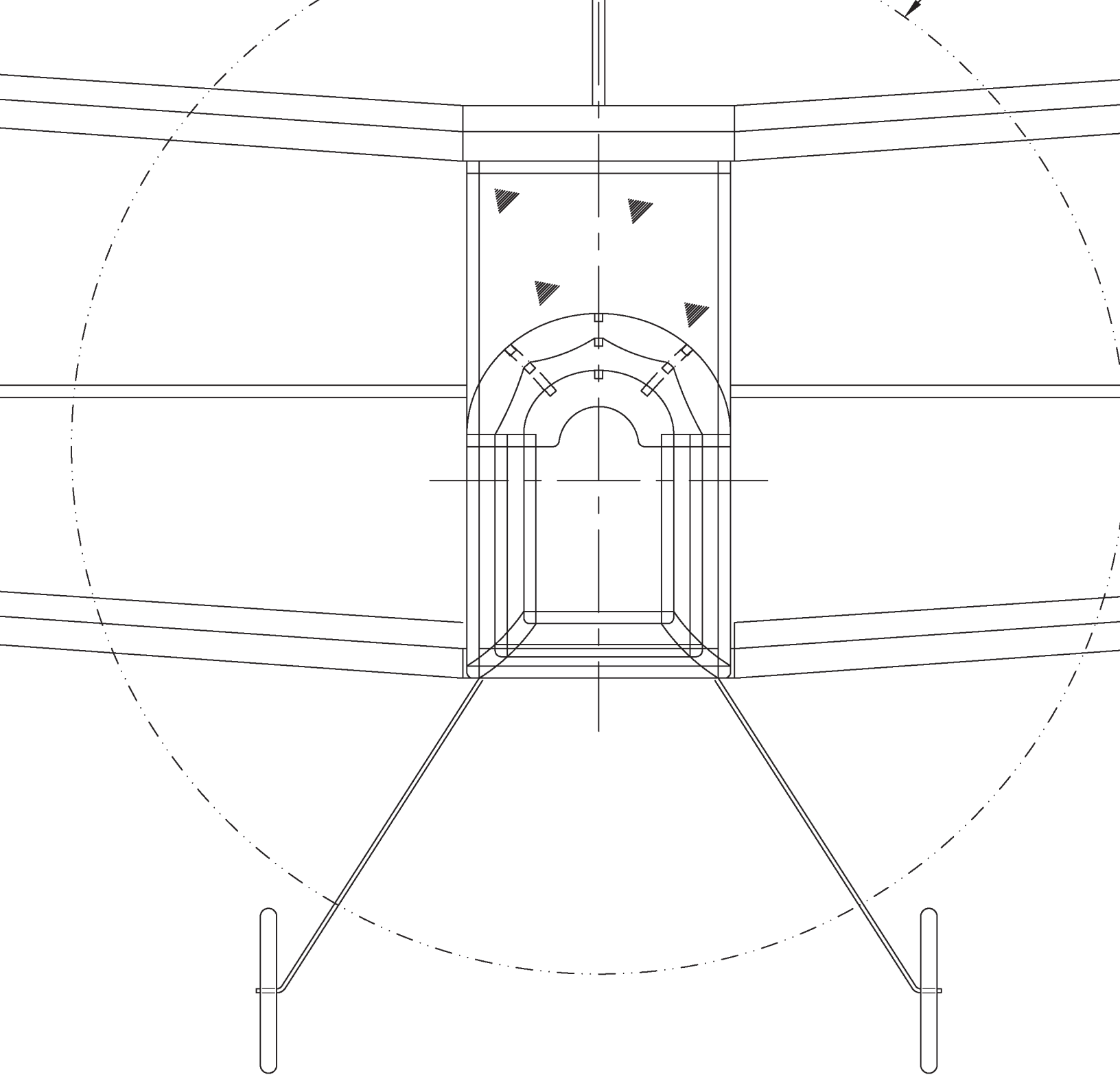
Optional
Swept Vertical Stabilizer



Nose Bushing Make
from Thin Aluminum
Sheet Drill .035



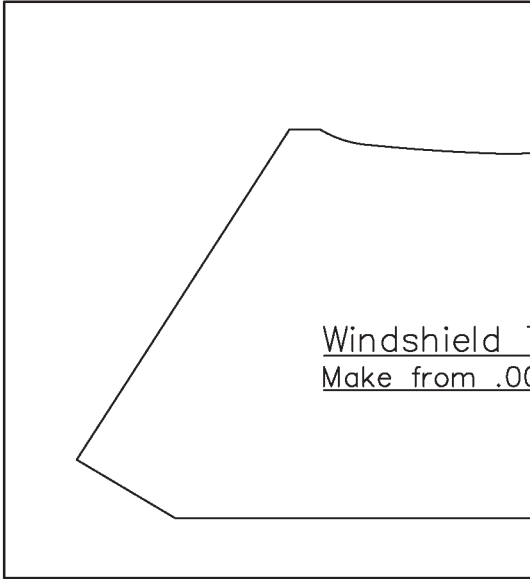




11/16" Dihedral
Each Tip

← IS

1 inch reference square



Windshield
Make from .00

- 1/16 Sheet Balsa
- 3/32 Sheet Balsa
- 1/8 Sheet Balsa
- 1/16 Birch Ply
- 4- 1/16 Sq. Balsa
- 2- 1/16 x 1/8 Balsa
- 7- 3/32 Sq. Balsa
- 1- 3/32 x 1/8 Balsa
- 1/2 x 1 1/2 x 2 Balsa Block

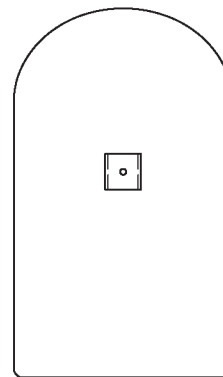
Metal:

- .020 Steel Wire
- .032 Steel Wire
- .015 Brass
- 5/32 O. D. Aluminum Tube
- 1/2" Sq. Aluminum (From a Beverage Can)

Miscellaneous:

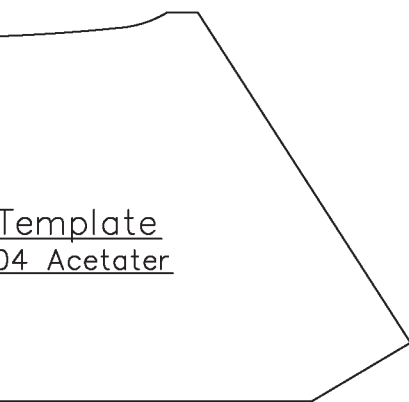
- .004" Acetate
- 1- 7" Peck Polymers Propeller
- 1 - 19" Double Loop 1/8 Tan Rubber

Prop Hook Make from .032 Steel Wire

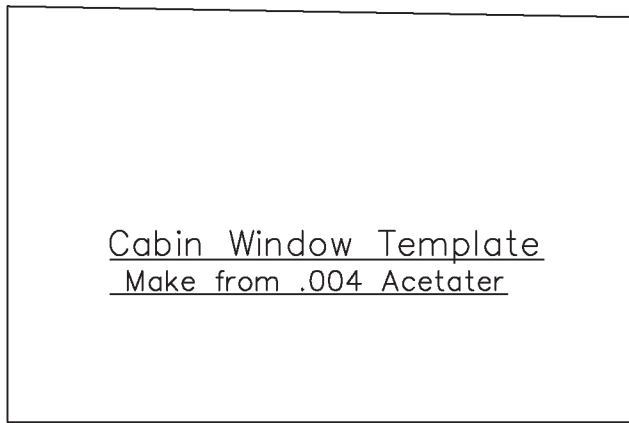


Prop Bearing Bead

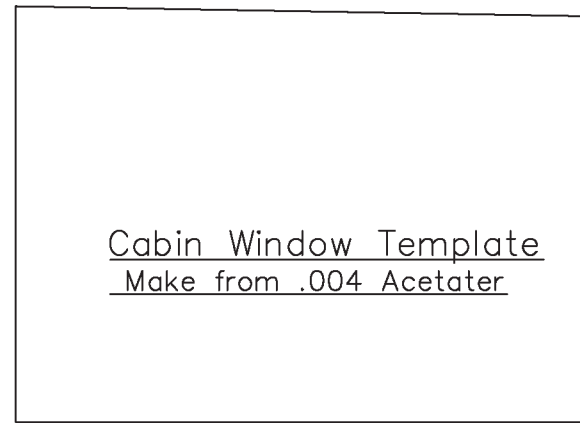
Universally Ad



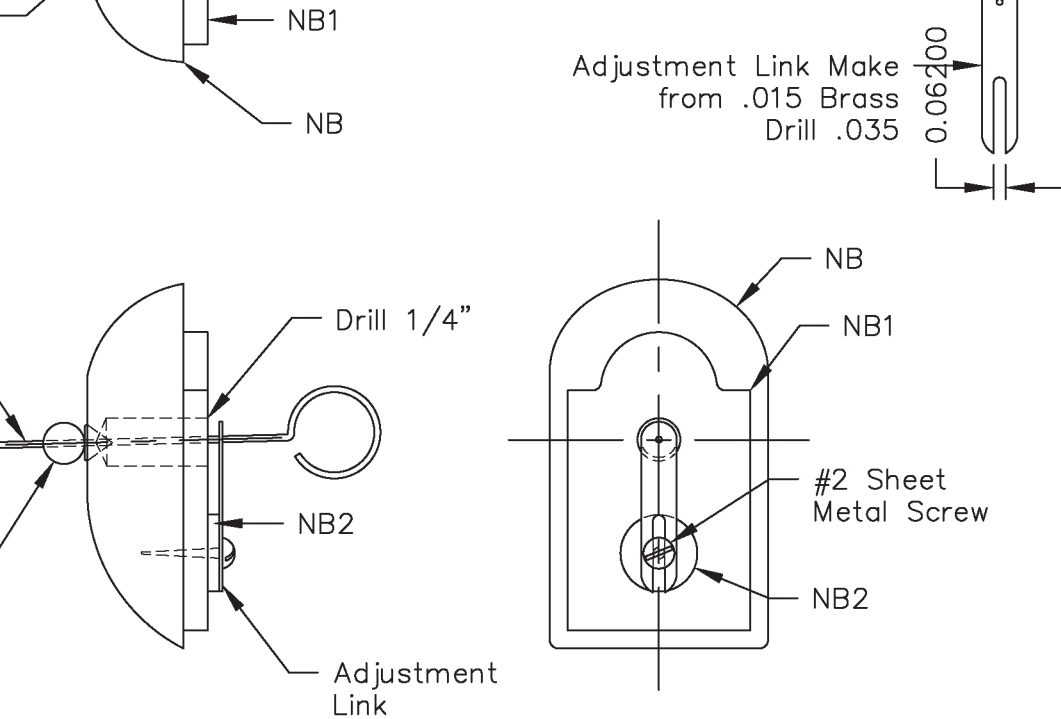
Template
.04 Acetater



Cabin Window Template
Make from .004 Acetater



Cabin Window Template
Make from .004 Acetater



Adjustable Nose Block Assembly



Copyright 2020  **PARKPILOT**
INSPIRE. INFORM. INSTRUCT.

Copying for resale of this drawing without the written approval or consent of AMA is expressly prohibited.

Dosalas	
Wing Span: 21"	Length: 20"
Area: 139 Sq. In.	Wt.: 59.6 Gr. (w/ Motor)
Designed By P. Tritle © 6/16/2020	